

Autonics

**INDUCTIVE PROXIMITY SENSOR
DC 2WIRE TYPE**

M A N U A L



Thank you very much for selecting Autonics products.
For your safety, please read the following before using.

Caution for your safety

- Please keep these instructions and review them before using this unit.
- Please observe the cautions that follow:
Warning Serious injury may result if instructions are not followed.
Caution Product may be damaged, or injury may result if instructions are not followed.
- The following is an explanation of the symbols used in the operation manual.
Caution: Injury or danger may occur under special conditions.

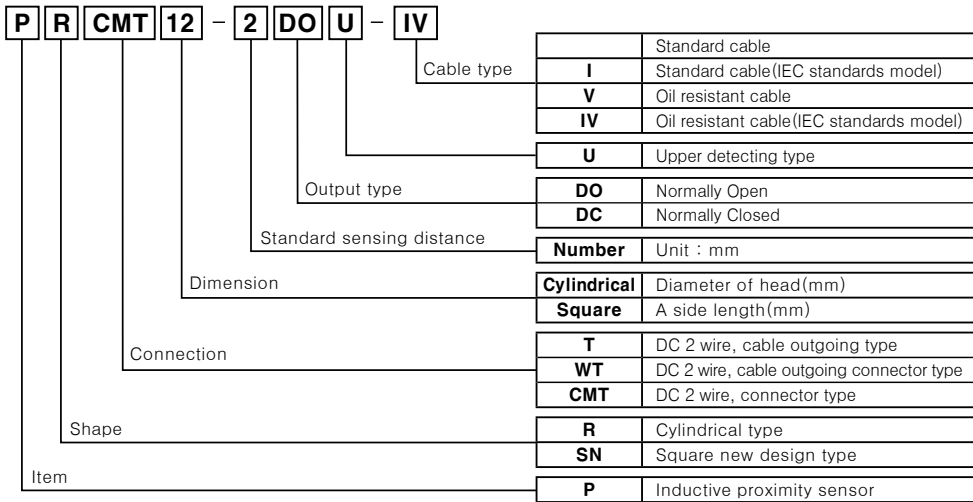
Warning

- In case of using this unit with machineries (Nuclear power control, medical equipment, vehicle, train, airplane, combustion apparatus, entertainment or safety device etc), it is required to install fail-safe device, or contact us.**
It may cause a fire, human injury or property loss.
- Do not connect power directly without load.**
It may result in damage to inner components or burn them out.

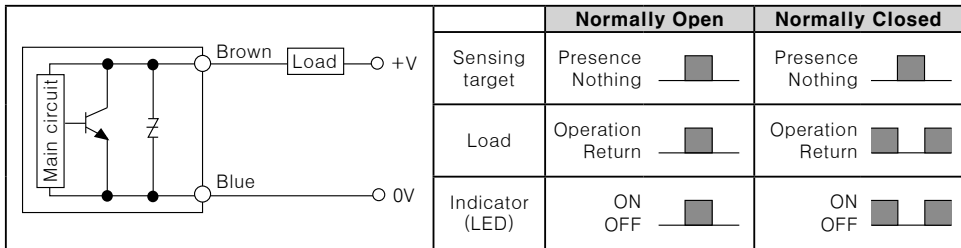
Caution

- Do not use this unit in place where there is flammable, explosive gas, chemical or strong alkalis, acids.**
It may cause a fire or explosion.
- Do not impact on this unit.**
It may result in malfunction or damage to the product.
- Do not use this product beyond rated voltage or apply AC power to DC power.**
It may result in serious damage to the product.

Ordering information



Control output diagram & Load operating



*The above specifications are subject to change without notice.

Specifications

Table of specifications for various models, including sensing distance, hysteresis, standard sensing target, setting distance, power supply, response frequency, residual voltage, protection circuit, and weight.

Dimensions

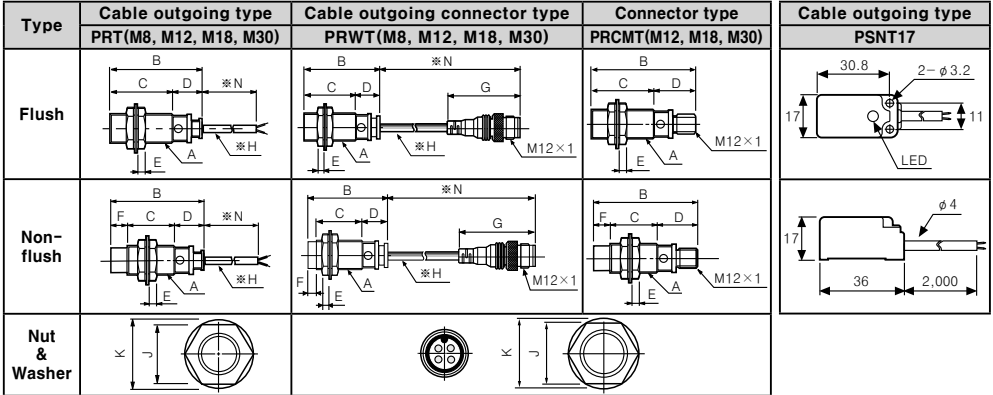
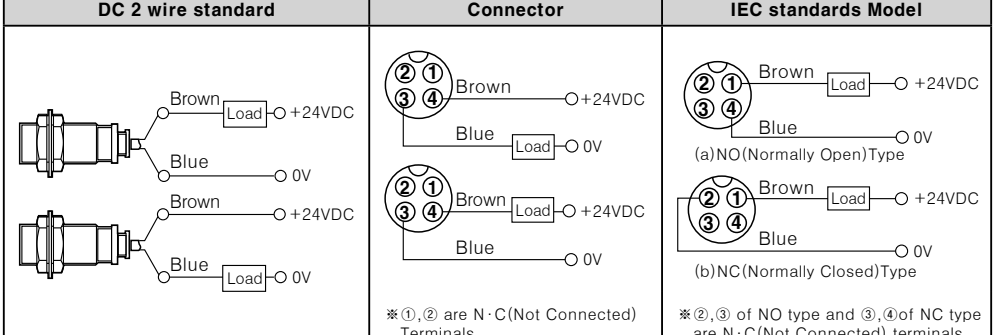


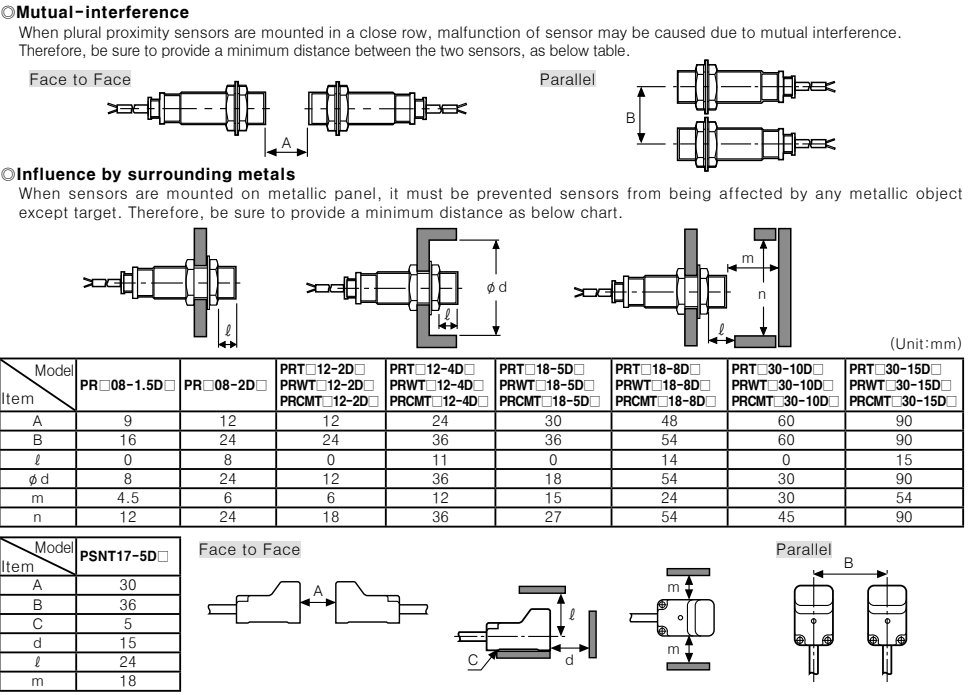
Table of dimensions (A, B, C, D, E, F, G, H, J, K, N) for various models (M8, M12, M18, M30) in flush and non-flush configurations.

*N" type standard : Cable outgoing type/2,000mm, Cable outgoing connector type/300mm
*H" type : ϕ3.5, 2 cores(Conductor cross section:0.2mm², Insulator diameter: ϕ1)
ϕ4, 2 cores/ ϕ5, 3 cores(Conductor cross section:0.3mm², Insulator diameter: ϕ1.25)

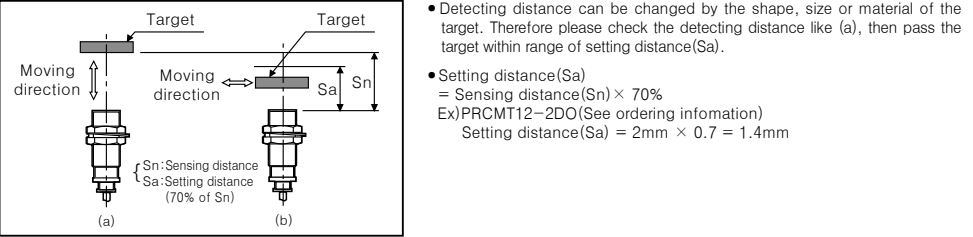
Connections



Mutual-interference & Influence by surrounding metals



Setting distance



Caution for using

- This equipment shall not be used outdoors or beyond specified temperature range.
- Do not load over than tensile strength of cord.
- Do not use the same conduit with cord of this unit and electric power line or power line.
- Do not put overload to tighten nut, please use washer for tightening.
- Please check the voltage changes of power source in order not to excess rating power input.
- Do not use this unit during transient time(80ms) after apply power.
- Do not connect capacity load to output part directly.
- It may result in damage to the product, if use automatic transformer.
- Please use insulated transformer.
- Please make wire short as much as possible in order to avoid noise.
- Be sure to cable as indicated specification on this product.
- It is possible to extend cable with over 0.3mm and max. 200m.
- If the target is plated, the operating distance can be changed by the plating material.
- It may result in malfunction by metal particle on product.
- If there are machines(motor, welding etc), which occurs big surge around this unit, please install the Varistor or absorber to source of surge, even though there is built-in surge absorber in this unit.
- If connect the load with big inrush current(DC type bulb) to this unit, the big inrush current will flow due to the initial resistance is low.
- In case of the load current is small : Make the residual current is less than return current to connect the bleeder resistor to load in parallel.

*Vs:Power supply, Io:Min.operating current for proximity sensor, Ioff:Return current of load, P:Resistance W of Bleeder resistor
*R ≤ Vs / (Io - Ioff) (kΩ) P > Vs² / R (mW)

Major products

- Proximity sensors
- Area sensors
- Photoelectric sensors
- Fiber optic sensors
- Door/Door side sensors
- Sensor controllers
- Graphic/Logic panels
- Temperature controllers
- Temperature/Humidity transducers
- Stepping motors/drivers/motion controllers
- Laser marking system(CO2, Nd:YAG)
- Laser welding/soldering system
- Counters
- Timers
- Display units
- Panel meters
- Pressure sensors
- Rotary encoders
- Power controllers
- Tachometer/Pulse(Rate) meters
- Switching power supplies
- Field network devices

Autonics Corporation
http://www.autonics.com
Satisfiable Partner For Factory Automation
41-5, Yongdang-dong, Yangsan-si, Gyeongsang, 626-847, Korea
Bldg. 402 3rd FL., Bucheon Techno Park, 193, Yakdas-dong, Wonmi-gu, Bucheon-si, Gyeonggi-do, 420-734, Korea
TEL : 82-32-610-2730 / FAX : 82-32-329-0728
E-mail : sales@autonics.com
The proposal of a product improvement and development : product@autonics.com
EP-KE-07-0430C