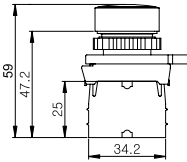
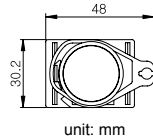


MC2 $\varnothing 22\text{mm}$ Push Buttons & Control Switches

Momentary Push Buttons

- Momentary Push
- Single Normally Open contact
- Flush Mount Accessory and Water Proof Protector available

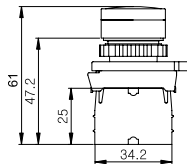
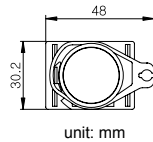


MC2 - **P** **R** - **A**

CONTACT BLOCK	
A	NO Contact
B	NC Contact
COLOR	
R	RED
Y	YELLOW
G	GREEN
B	BLUE
K	BLACK
STYLE	
P	Momentary Push Button

Illuminated Push Buttons

- Momentary Push
- Single Normally Open contact included
- AC/DC LED configuration in various colors
- Flush Mount Accessory and Water Proof Protector available

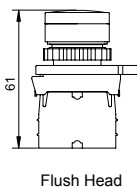
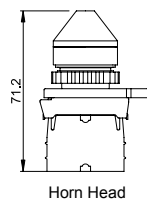
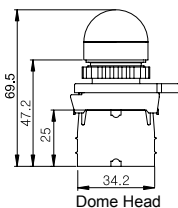
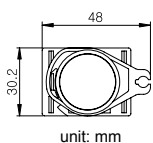


MC2 - **LPS** **R** - **A** **D**

LED	
D	12~30V DC/AC LED
L	110~220V AC LED
CONTACT BLOCK	
A	NO Contact
B	NC Contact
COLOR	
R	RED
Y	YELLOW
G	GREEN
B	BLUE
C	CLEAR
STYLE	
LPS	Illuminated Push Button

Pilot Lamps

- LED illumination with clear visibility
- AC/DC LED configuration in various colors

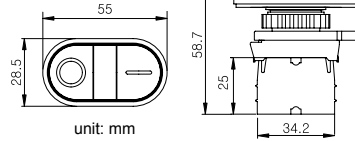


MC2 - **PI** **D** **R** - **D**

LED	
D	12~30V DC/AC LED
L	110~220V AC LED
COLOR	
R	RED
Y	YELLOW
G	GREEN
B	BLUE
C	CLEAR
HEAD STYLE	
D	Dome Head
H	Horn Head
F	Flush Head
STYLE	
PI	Pilot Lamp

Double Push Buttons

- Momentary Push
- Normally Open and Normally Closed contact blocks
- LED illumination

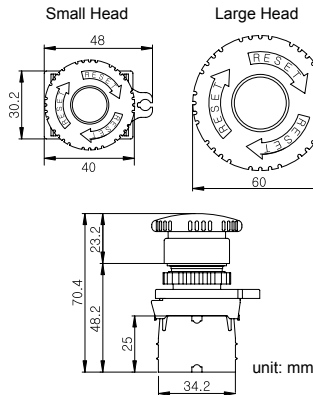


MC2 - **2P** **RG** - **AB** **D**

LED	
D	12~30V DC/AC LED
L	110~220V AC LED
CONTACT BLOCKS	
AB	1 NO Contact 1 NC Contact
COLOR	
RG	Red & Green
STYLE	
2P	Double Push Button

Emergency Stops

- Ø40 or Ø60mm Mushroom heads
- Push Lock & Twist-to-release
- Illuminated or non-illuminated styles
- UL, cUL, CE approved contact blocks

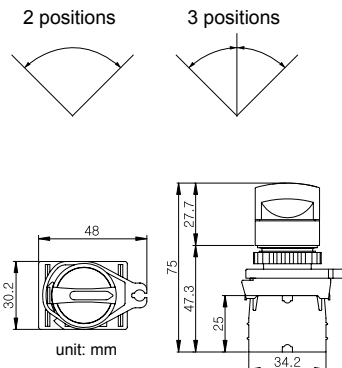


MC2 - **E** **S** **R** - **B** **D**

LED	
	Non-Illumination
D	12~30V DC/AC LED
L	110~220V AC LED
CONTACT BLOCK	
B	NC Contact
COLOR	
R	RED
HEAD	
S	Small Head (Ø40mm)
L	Large Head (Ø60mm)
STYLE	
E	Emergency Stop
LE	Illuminated Emergency Stop

Selector Switches

- Available in 2 or 3 position selection
- Fixed Position or Auto Spring Return Styles



MC2 - **S** **S** **W2** **S** - **A**

CONTACT BLOCK	
A	2 Positions Single NO contact
AA	3 Positions Double NO contacts
Function	
S	Fixed Position
M	Auto Spring Return
Number of Positions	
W2	2 Positions 90°
W3	3 Positions 45°
Selector Head	
S	Knob
L	Lever
STYLE	
S	Selector Switch

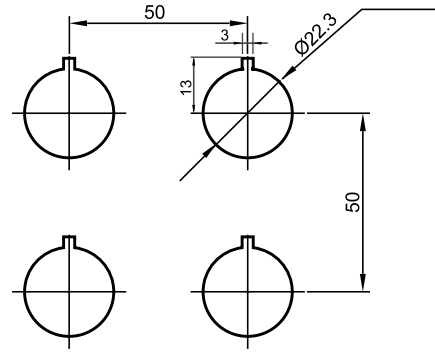
Buzzers

- Selectable Continuous and Intermittent Sound
- LED Illumination
- AC/DC 12~30V rated

MC2-B-D



Ø22 Push Button Mounting Hole Layout & Panel Cutout



Contact Blocks

Model	NO Contact	MC22-UA	NC Contact	MC22-UB
Appearance				
Contact Capacity	110 VAC 10A / 220 VAC 5A			
Approval	CE c RU [®] US			

LEDs

Model	DC/AC LED	MC22-UA	AC LED	MC22-UB
Appearance				
Operating Voltage	DC/AC 12~30V		AC 110~220V	
Current Consumption	4~10mA		4~10mA	
LED Life	50,000 hours			
Approval	CE c RU [®] US			

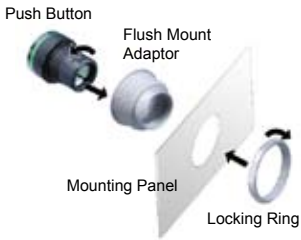
Specifications

Control Switches		Push Buttons	Illuminated Push Buttons	Pilot Lamps	Selector Switches	Emergency Stops	Double Push Buttons	Buzzer		
Model		MC2-P	MC2-LP	MC2-PI	MC2-S	MC2-E	MC2-2P	MC2-B-D		
Life	Mechanical	50,000 times (20 times/min)						Rated Voltage	AC/DC 12~30V	
	Electrical	100,000 times (20 times/min)						Current	60mA	
		Sound Level							85dB @ 0.1m 75dB @ 1m	
Protection Degree		IP52					IP50	IP40		
Initial Contact Resistance		20MΩ maximum								
Insulation Resistance		Min. 100MΩ						Min. 50MΩ		
Operation Frequency		Max. 30 times/min						2~3 times/sec		
Impact	Endurance	Min. 500m/s ²								
	No movement	Min. 100m/s ²								
Vibration		10~55Hz with 3mm pick to pick								

Operating Temperature: -15~40°C Operating Humidity: 45~85%RH Storage Temperature: -40~70°C

Accessories

Flush Mount Adaptor



MC22-FP	MC22-FL
for Push Buttons MC2-P□-□	for Illuminated Push Buttons MC2-LP□-□□

Water Proof Cap



MW-25P	MW-25L
for Push Buttons MC2-P□-□	for Illuminated Push Buttons MC2-LP□-□□

E-Stop Accessories

Nameplates		Shroud		
MP-25-S	MP-25-L	MPC-KA-LD22	MPC-KA-LD25	MPC-KA-LD30
		Ø22mm	Ø25mm	Ø30mm

Locking Ring Wrench



MC-P100

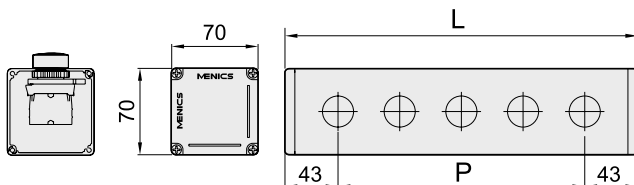
Switch Boxes

Aluminum Boxes



MB70 - **S** - **01**

NUMBER OF HOLES	
01	1 Hole
02	2 Holes
03	3 Holes
04	4 Holes
05	5 Holes
X	X Holes (optional)
BOX STYLE	
S	Square Side
T	Triangular Side



	L	P
1 Hole	3.4 in (86mm)	—
2 Holes	5.4 in (136mm)	2 in (50mm)
3 Holes	7.3 in (186mm)	3.9 in (100mm)
4 Holes	9.3 in (236mm)	5.9 in (150mm)
5 Holes	11.3 in (286mm)	7.9 in (200mm)

Plastic Boxes

IP 67 / NEMA 4x



BC - **AG** **S** - **01**

NUMBER OF HOLES	
01	1 Hole
02	2 Holes
03	3 Holes
04	4 Holes

BOX STYLE	
S	Screw Lock

BOX MATERIAL	
AG	ABS Gray
PG	PC Gray
*PY	PC Yellow

* 1 Hole Mounting ONLY.

