

Autonics

Motor Driver (2-Phase intelligent stepping motor driver)

MD2U-ID20

M A N U A L



Thank you very much for selecting Autonics products.
For your safety, please read the following before using.

Caution for your safety

- *Please keep these instructions and review them before using this unit.
- *Please observe the cautions that follow:
- Warning** Serious injury may result if instructions are not followed.
- Caution** Product may be damaged, or injury may result if instructions are not followed.
- *The following is an explanation of the symbols used in the operation manual.
- Caution:** Injury or danger may occur under special conditions.

Warning

- In case of using this unit with machinery(Nuclear power control, medical equipment, vehicle, train, airplane, combustion apparatus, entertainment or safety device etc), it is required to install fail-safe device. (or contact us for information on type required.)
It may cause serious human injury or a fire and damage to product.
- Installation, connection, operation, control, maintenance should be carried out by person who has been qualified.
It may cause a fire, electric shock or human injury.
- Please use DC power with reinforced insulating the primary and secondary part for the DC power product.
It may give an electric shock.
- Please install this unit after considering counterplan against power failure.
It may cause human injury or damage to product by releasing holding torque of motor.
- Do not use this unit outdoors or place where there are flammable, corrosive gas, water and too much vibration etc.
It may cause a fire or give an electric shock.
- Do not put finger or any object into this product.
It may cause a fire or give an electric shock.
- Do not disassemble and modify this unit, when it is required, please contact us.
It may cause a fire or give an electric shock, damage to product.
- Please use the adjuster with insulated screw driver.
It may give an electric shock.

Caution

- Do not move, install, connect or inspect during the operation.
It may give an electric shock.
 - Power input voltage must be used within rated specification and power line should be over than AWG NO. 18(0.75mm²).
It may cause a fire or give an electric shock.
 - Please check the connection before supplying the power.
It may cause a fire or give an electric shock, damage to product.
 - When connecting the unit with power, please install current breaker.
It may cause a fire.
 - Please turn off the power when power is failed.
It may cause human injury or damage to product due to sudden movement when recovering power failure.
 - Please supply power after checking control input signal.
It may cause a burn due to high temperature in surface.
 - The emergency stop is needed during the operation.
It may cause human injury or damage to product.
 - Please apply power after checking control input signal.
It may cause human injury or damage to product by sudden movement.
 - Do not turn on the HOLD OFF signal input while it is maintaining vertical position.
It may cause human injury or damage to product by releasing holding torque of motor.
 - Please install a safety device when it is required to remain the vertical position after turning off the power.
It may cause human injury or damage to product by releasing holding torque of motor.
 - Please check if HOLD OFF signal input is ON when it is required to set the output manually.
It may cause human injury by sudden movement.
 - Please stop this unit when mechanical problem occurred.
It may cause a fire or human injury.
 - Do not touch the terminal when measuring insulation resistance and testing insulation dielectric strength.
It may give an electric shock.
 - Please observe rated specification.
It may cause human injury, electric shock or damage to product.
 - In cleaning the unit, do not use water or an oil-based detergent.
It may cause a fire or give an electric shock.
 - Please separate as industrial waste when disusing this unit.
 - Please use the designated 2-phase stepping motor in output part.
It may cause a fire or damage to product.
- *The above specifications are subject to change without notice.

Features

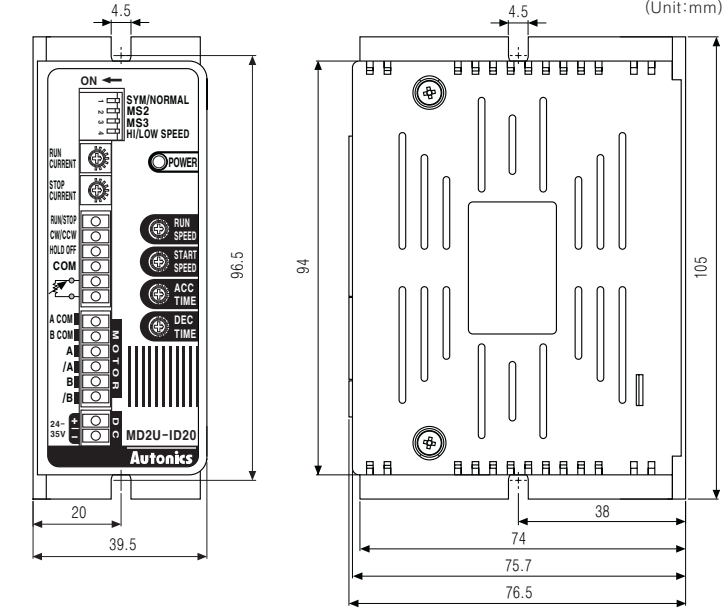
- Unipolar constant current drive type.
- Complete to realize the features of variable speed AC motor as stepping motor
- Able to change constant RUN speed using external voltage and adjuster
- Able to adjust ACC and DEC time
- Available brake function adjusting STOP current
- Realization of high torque in low-speed without gear
- Simple operation with switch and adjuster
- Low vibration by microstep operation
- Various applications with compact 2-phase stepping motor
- Power supply 24-35VDC

Specifications

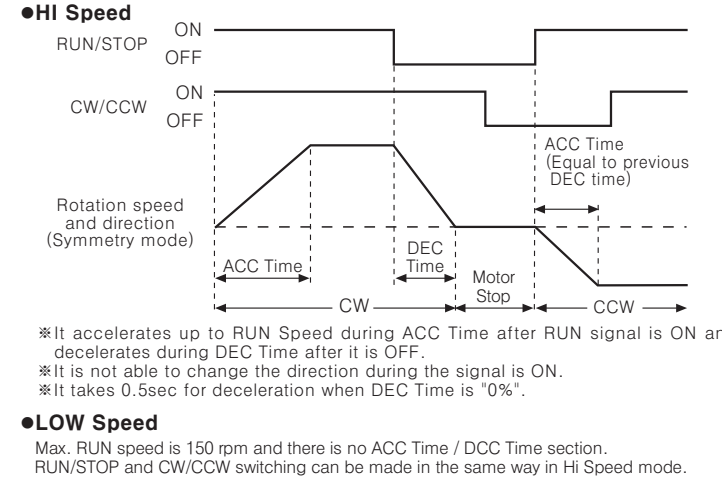
Model	MD2U-ID20
Power supply	24-35VDC
Allowable voltage range	80 to 120% of rating voltage
RUN current(*1)	0.5-2A/Phase
Current consumption(*2)	Max. 3A
RUN method	Unipolar constant current drive
Maximum speed	1500rpm
Input resistance	3.3kΩ (CW/CCW, RUN/STOP, HOLD OFF)
Insulation resistance	Min. 200MΩ (Based on 500VDC of electrification and non-electrification parts)
Dielectric strength	1000VDC 60Hz for 1 minute (Between electrification and non-electrification parts)
Noise resistance	±500V the square wave noise(pulse width:1μs) by the noise simulator
Vibration	1.5mm amplitude at frequency of 10-55Hz in each of X, Y, Z directions for 2 hours
Shock	300m/s ² (Approx. 30G) in X, Y, Z directions for 3 times
Ambient temperature	0 ~ 50°C (at non-freezing status)
Storage temperature	-20 ~ 60°C (at non-freezing status)
Ambient humidity	35 ~ 85%RH (at non-dew status)
Approval	CE
Unit weight	Approx. 190g

*1: The max. value of RUN current is based on RMS value in accordance with frequency of running motor, peak power can be changed by load fluctuation.
*2: Ambient temperature is 25[°C] and ambient humidity is 55[%RH].

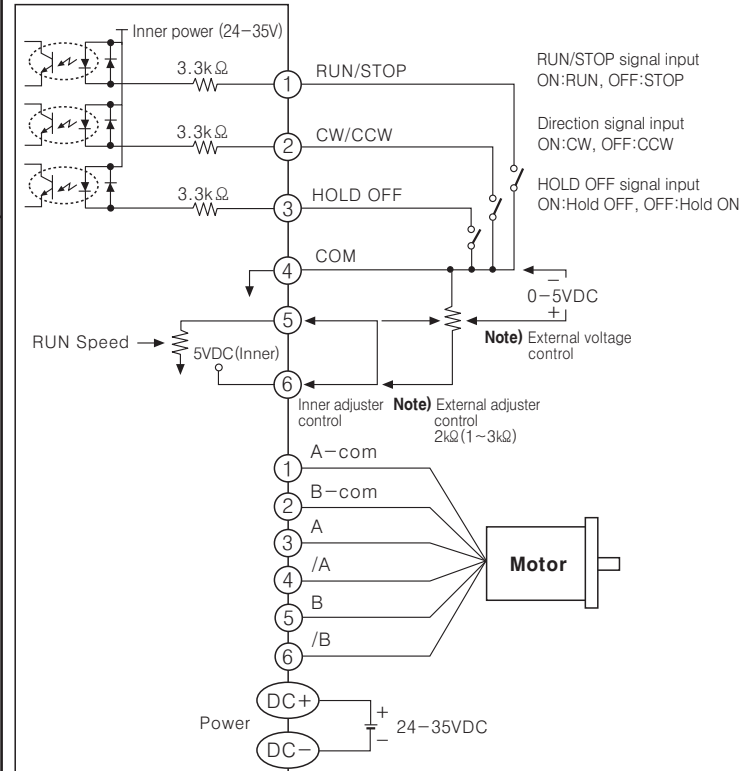
Dimensions



Time charts



Input - Output diagram



Note) Inner adjuster is correlated to external adjuster control and external voltage control. Make sure that inner adjuster must be set to maximum in order to set maximum Run speed using external adjuster and external voltage.

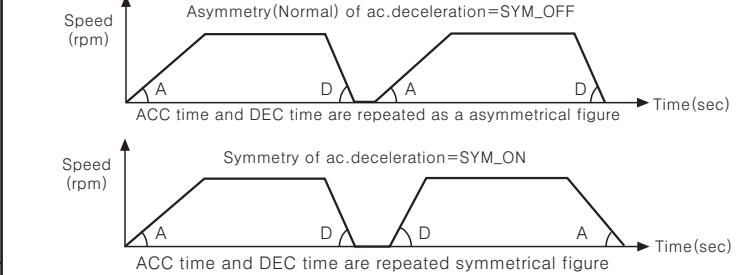
Functions

Function DIP Switch
*Reset the power when changing Dip switch.

Switch No.	1	2	3	4	Max. speed (rpm)
Name	SYM/ASYM (Normal)	MS2	MS3	Hi/Low speed	
Switch	ON: Symmetry	ON	ON	ON : Hi speed	1500
	OFF: Asymmetry (Normal)	ON	OFF		1350
		OFF	ON	1000	
		OFF	OFF	500	
	D(*1)	D(*1)	D(*1)	OFF : Low speed	150

*1: D=Don't care
Selection of Symmetry/Asymmetry

① A function to make the ACC/DEC time of run-speed as asymmetry or symmetry using Dip switch No.1.



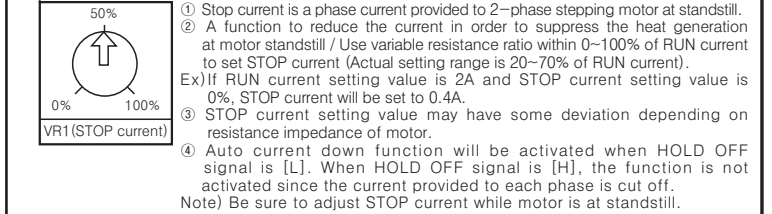
② It is able to set the gradient (acceleration and deceleration time) as ACC/DEC time.

- Selection of max. speed (MS2, MS3)**
- ① A function to select the maximum speed of motors.
 - ② The max. speed of stepping motor is changed by MS2/MS3 and Hi/Low speed.
 - ③ The features of run and vibration are able to change depending on MS2, MS3.
 - ④ Lower the maximum speed to run a motor smoothly.

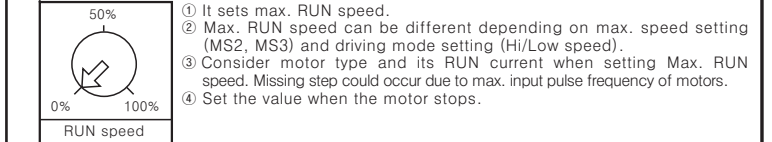
- Selection of Hi/Low speed**
- ① Hi/Low speed switch : Ac. Deceleration control is not available in LS mode since all sections are included in Pull-in range
② LS mode : It is able to drive a motor up to 150rpm of max. drive speed.
③ HS mode : It is able to drive a motor up to 1500rpm of max. drive speed.

- RUN current Setting**
- ① RUN current is phase current provided to 2-phase stepping motor.
 - ② Be sure to set RUN current at the rated current or below. If not, it may cause heat generation, loss of torque or step-out.
 - ③ RUN current setting range : 0.5 ~ 2.0A
 - ④ RUN current setting : Measure the voltage by connecting a DC voltage meter to both CT+ and CT- terminals while the motor is running (Max. 150rpm).
Ex) Input Voltage (3V) × 2 / 3 = 2A (Motor's excitation current)
 - ⑤ Adjust the RUN current in case severe heat generation occurs.
Be sure that torque decreasing may occur when adjusting the current.
 - ⑥ RUN current setting value may have some deviation depending on motor's running frequency.
Note) Be sure to adjust RUN current while motor is running.

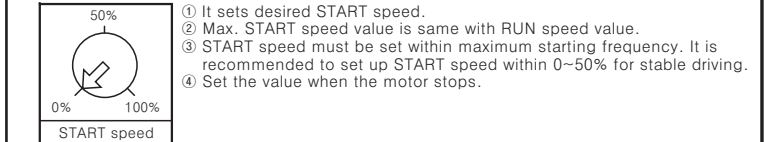
Stop Current Setting



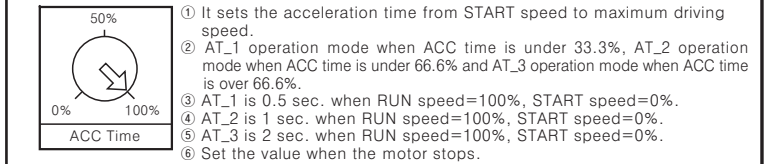
RUN Speed Setting



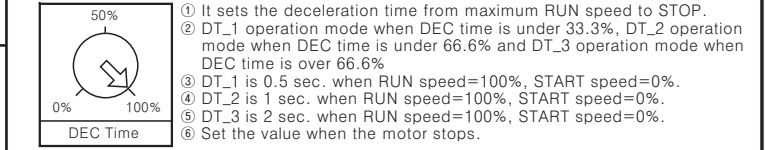
START Speed Setting



ACC Time Setting



DEC Time Setting



*ACC Time and DEC Time are declined in proportion to the setting value of START speed.
*The figures above indicate the factory default for each value.
Ex) In case of DEC Time, 100% is factory default.

Failure diagnosis and management

- If motor does not rotate
Check the connection of controller and driver.
- If motor rotates as a reverse direction
It is CW rotation when CW/CCW input is [ON] and CCW rotation for [OFF].
- If motor does not work properly.
① Check the connection of driver and motor.
② Check output current depending on current adjusting switch and current needed to operate motor is correct.

Caution for using

- Caution for signal input
① It can not be change the direction during the operation.
② In case, the signal input supply is higher than rated supply in the specification, please connect the additional resistance to external part.
- Caution for setting the RUN and STOP current
A RUN current must be set under a rated current of the motor because motor emits heat too much when a RUN current is set over a rated current of the motor.
- Caution for wiring
① Use Twist pair (Over 0.2mm²) for the signal wire should be shorter than 2m.
② Please use an electric wire thicker than the motor lead wire when lengthening the motor wire connection.
③ Please leave a space over 10cm between a signal wire connection and power wire.
- Caution for installation
① Keep the heat sink as close as possible to metal panels and place the unit in well-ventilated area in order to increase heat protection efficiency of heat sink.
② Heat generation may occur on drivers depending on installation environments.
Place the unit with keeping the heat sink under 80°C.
- Motor vibration and noise can be occurred in specific frequency period.
① Motor vibration and noise can be lowered by change motor installation or attach damper.
② Use the unit in a range without vibration and noise range by RUN speed adjustment.
- Installation environment
① It shall be used indoor
② Altitude max. 2000m
③ Pollution degree 2
④ Installation category II

*It may cause malfunction if above instructions are not followed.

Major products

- Proximity sensors
- Area sensors
- Door/Door side sensors
- Counters
- Rotary encoders
- Power controllers
- Sensor controllers
- Panel meters
- Graphic/Logic panels
- Temperature controllers
- Tachometer/Pulse (Rate) meters
- Temperature/Humidity transducers
- Stepping motors/drivers/motion controllers
- Laser marking system (CO₂, Nd:YAG)
- Laser welding/soldering system
- Photoelectric sensors
- Fiber optic sensors
- Pressure sensors
- Timers
- Display units

Autonics Corporation
http://www.autonics.com

Satisfiable Partner For Factory Automation

HEAD QUARTERS :
41-5, Yongdang-dong, Yangsan-si, Gyeongsang, 626-847, Korea

OVERSEAS SALES :
810g, 402-3rd Fl., Bucheon Techno Park, 193, Yakdae-dong, Wornmi-gu, Bucheon-si, Gyeonggi-do, 420-734, Korea
TEL: 82-32-610-2730 / FAX: 82-32-329-0728
E-mail : sales@autonics.com

The proposal of a product improvement and development : product@autonics.com

EP-KE-14-0006D