

MT5C/8C Ø56mm / Ø85mm Steady & Flashing with Buzzer

TOWER LIGHTS



Incandescent or LED

- Optional LED bulbs available
- Selectable Steady or Flashing Modes
- Prism-cut lenses for even light distribution
- Surface, Pole or Wall Mounted (Order poles & bases separately)
- Wire leads or Terminal connection
- Add-on Buzzer (80 dB) kit available
- NEMA 12, 3R / IP56 rated



Order Information

MT 5 C 5 A L - RYGB C
 ① ② ③ ④ ⑤ ⑥

① Lens Diameter	5	Ø56mm
	8	Ø85mm
② Light Style	C	Steady & Flashing
③ Number of Stacks	1	1 Light
	2	2 Lights
	3	3 Lights
	4	4 Lights
	5	5 Lights
④ Power Supply	A	DC/AC 24V
	B	AC 110~120V
	C	AC 220~240V
⑤ Connection	L	Lead Wires
	T	Screw Terminals
⑥ Lens Colors (top to bottom)	R	Red
	Y	Yellow
	G	Green
	B	Blue
	C	Clear

Optional Orders

Buzzer Kits

MPZ - 56 A

Power Supply	
A	DC/AC 24V, 80dB (30mA)
B	AC 110~120V, 80dB (30mA)
C	AC 220~240V, 80dB (30mA)
Buzzer Size (Diameter)	
56	Ø56mm (for MT5C Series)
85	Ø85mm (for MT8C Series)

Replacement Parts

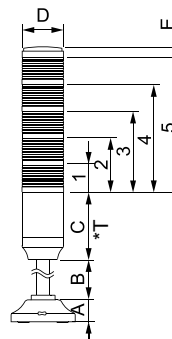
LED		LED-T15-D-24-(□)	DC 24V
		LED-T15-D-110-(□)	AC 110~120V
		LED-T15-D-220-(□)	AC 220~240V
BULB		MAB-T15-D-024-10	DC/AC 24V, 10W
		MAB-T15-D-120-10	AC 110~120V, 10W
		MAB-T15-D-240-10	AC 220~240V, 10W
Lens	-	MAL-5(□)	Ø56mm
		MAL-8(□)	Ø85mm

(□): indicates color of LED or Lens; R, Y, G, B or C

Specifications

Power Supply		24V AC/DC	110~120V AC	220~240V AC	
Current Draw	Bulb	1 Stack	54 mA	28 mA	25 mA
		2 Stack	109 mA	62 mA	57 mA
		3 Stack	169 mA	102 mA	91 mA
		4 Stack	223 mA	136 mA	124 mA
		5 Stack	275 mA	169 mA	155 mA
	LED	Per Stack	180 mA	35 mA	28 mA
Buzzer		30 mA			
LED Life-Span		10,000 hours (minimum)			
Sound Level		80 dB			
Flashing rate		80 times/minute			
Rating		NEMA 12, 3R / IP 56			
Approvals		UL, cUL, CE			

Dimensions



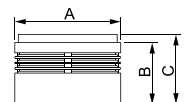
Symbol	Model	
	MT5C	MT8C
A	29	29
B	185	185
C	95	108
*T	173	188
D	56	85
E	15	15
1	68	68
2	136	136
3	204	204
4	272	272
5	340	340

*T: Terminal board style

unit: mm

Buzzer Kit

MPZ-56
MPZ-85



Symbol	MPZ-56	MPZ-85
A	56	86
B	48	50
C	54	56

See Page 13-14
for Mounting Options and Accessories

MT4B/5B/8B Ø45mm / Ø56mm / Ø86mm Steady

TOWER LIGHTS



Incandescent or LED

- Optional LED bulbs available (12VDC & 24VDC ONLY)
- Long life and reliability
- Prism-cut lenses for even light distribution
- Surface, Pole or Wall Mounted
(Order poles & bases separately)
- Wire leads or Terminal connection
- NEMA 12, 3R / IP56 rated



Order Information

MT	4	B	5	A	L	-	RYGBC
	①	②	③	④	⑤		⑥
① Lens Diameter	4	5	8	Ø45mm	Ø56mm	Ø85mm	
② Light Style	B	Steady					
③ Number of Stacks	1	1 Light					
	2	2 Lights					
	3	3 Lights					
	4	4 Lights					
	5	5 Lights					
④ Power Supply	D	DC/AC 12V					
	A	DC/AC 24V					
	B	AC 110~120V					
	C	AC 220~240V					
⑤ Connection	L	Lead Wires					
⑥ Lens Colors (top to bottom)	R	Red					
	Y	Yellow					
	G	Green					
	B	Blue					
	C	Clear					

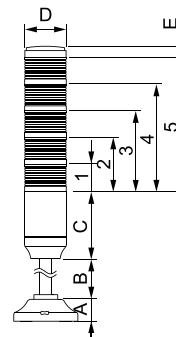
Optional Orders

Replacement Parts

Model	Part	Part Number	Voltage
MT4B	LED	LED-T09-S-12-(□)	DC 12V
		LED-T09-S-24-(□)	DC 24V
	BULB	MAB-T09-S-012-05	DC/AC 12V, 5W
		MAB-T09-S-024-05	DC/AC 24V, 5W
		MAB-T09-S-130-05	AC 110~120V, 5W
MAB-T09-S-240-05		AC 220~240V, 5W	
Lens	MAL-4-(□)	Ø45mm	
MT5B MT8B	LED	LED-T15-D-12-(□)	DC 12V
		LED-T15-D-24-(□)	DC 24V
		LED-T15-D-110-(□)	AC 110~120V
		LED-T15-D-220-(□)	AC 220~240V
	BULB	MAB-T15-D-012-10	DC/AC 12V, 10W
		MAB-T15-D-024-10	DC/AC 24V, 10W
		MAB-T15-D-120-10	AC 110~120V, 10W
		MAB-T15-D-240-10	AC 220~240V, 10W
	Lens	MAL-5-(□)	Ø56mm
MAL-8-(□)		Ø86mm	

(□): indicates color of LED or Lens; R, Y, G, B or C

Dimensions



unit: mm

Symbol	Model		
	MT4B	MT5B	MT8B
A	29	29	29
B	185	185	185
C	72	95	108
D	45	56	86
E	10.5	15	15
1	46	68	68
2	92	136	136
3	138	204	204
4	184	272	272
5	230	340	340

Specifications

Power Supply		12V AC/DC	24V AC/DC	100-220V AC
Current Draw	1 Stack	41 mA	27 mA	28 mA
	2 Stack	89 mA	57 mA	60 mA
	3 Stack	149 mA	95 mA	99 mA
	4 Stack	204 mA	125 mA	131 mA
	5 Stack	240 mA	155 mA	163 mA
Flashing rate		80 times/minute		
Rating		IP 56		

See Page 13-14
for Mounting Options and Accessories

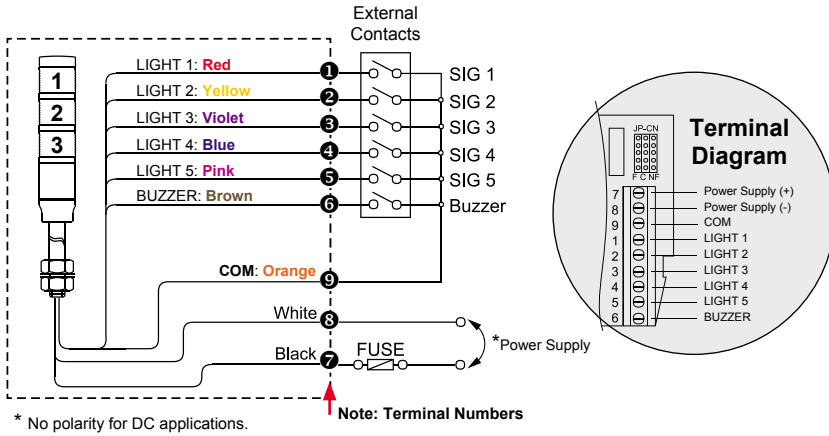
MT5C/8C & MT4B/5B/8B Wiring Diagram

MT5C/8C

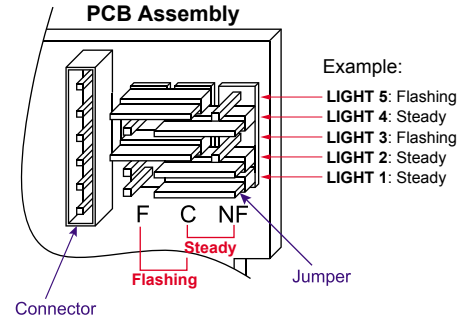
DC/AC 24V

Steady or Flashing (with Buzzer)

MT5C□AL-□□□□ MT8C□AL-□□□□
 MT5C□AT-□□□□ MT8C□AT-□□□□



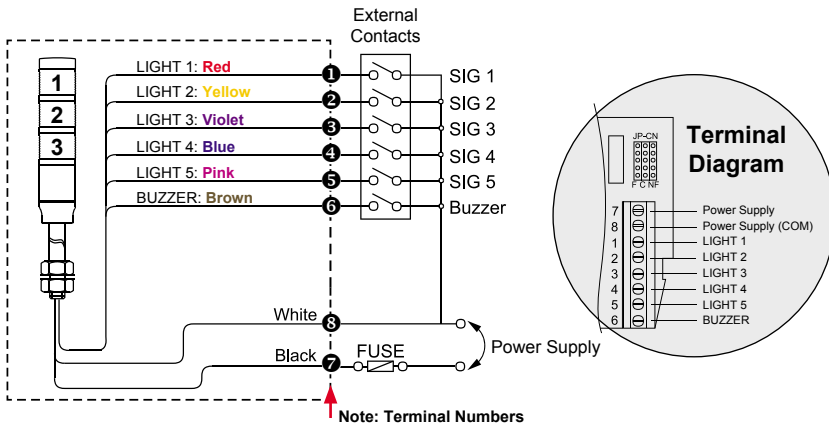
Steady/Flashing Selection



AC 110~120V AC 220~240V

Steady or Flashing Lights (with Buzzer)

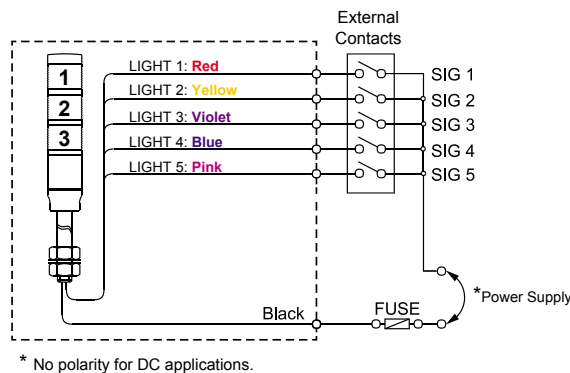
MT5C□BL-□□□□ MT8C□BL-□□□□
 MT5C□BT-□□□□ MT8C□BT-□□□□
 MT5C□CL-□□□□ MT8C□CL-□□□□
 MT5C□CT-□□□□ MT8C□CT-□□□□



MT4B/5B/8B

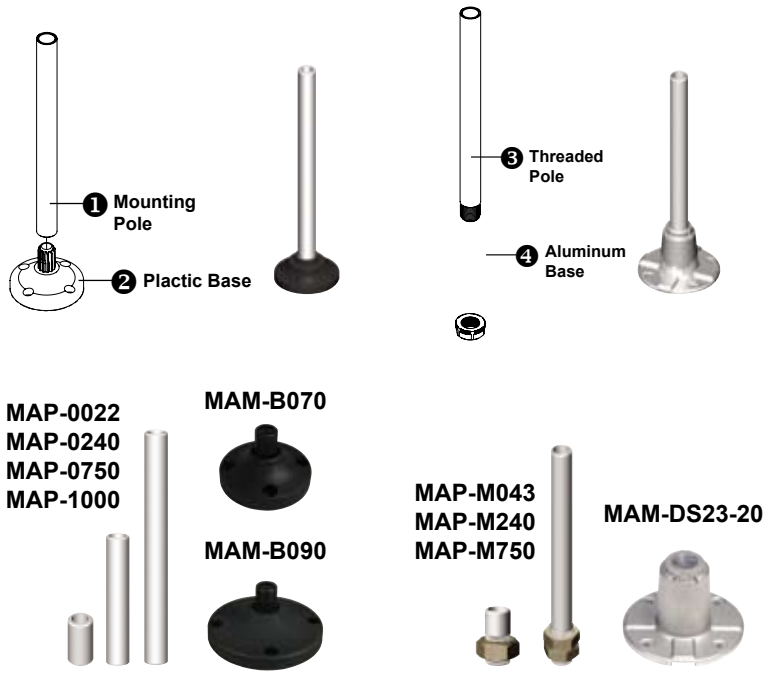
AC/DC 12V AC 110~120V AC/DC 24V AC 220~240V

Steady Lights



Pole Mounting with Base

Part	Part #	Description
1	MAP-0022	Ø20mm, 0.87 in (22 mm) pole
	MAP-0240	Ø20mm, 9.45 in (240 mm) pole
	MAP-0750	Ø20mm, 29.53 in (750 mm) pole
	MAP-1000	Ø20mm, 39.37 in (1000 mm) pole
2	MAM-B070	Ø70mm Plastic Base
	MAM-B090	Ø90mm Plastic Base
3	MAP-M043	Ø20mm, 1.69 in (43 mm) threaded pole with 1 nut
	MAP-M240	Ø20mm, 9.45 in (240 mm) threaded pole with 2 nuts
	MAP-M750	Ø20mm, 29.53 in (750 mm) threaded pole with 1 nut
4	MAM-DS23-20	Aluminum Base



L-angle Mounting with Bracket

Part	Part #	Description
3	MAP-M043	Ø20mm, 1.69 in (43 mm) threaded pole with 1 nut
	MAP-M240	Ø20mm, 9.45 in (240 mm) threaded pole with 2 nuts
	MAP-M750	Ø20mm, 29.53 in (750 mm) threaded pole with 1 nut
5	MAM-DS25	L-angle Bracket



Wall Mounting with Bracket

Part	Part #	Description
1	MAP-0022	Ø20mm, 0.87 in (22 mm) pole
	MAP-0240	Ø20mm, 9.45 in (240 mm) pole
	MAP-0750	Ø20mm, 29.53 in (750 mm) pole
	MAP-1000	Ø20mm, 39.37 in (1000 mm) pole
2	MAM-B070	Plastic Base
6	MAM-DS30-BLK	Plastic Wall Mounting Bracket, Black (Pole & Base required)
	MAM-DS30-BGE	Plastic Wall Mounting Bracket, Beige (Pole & Base required)
	MAM-DS40-BLK	Plastic Wall Mounting Bracket, Black (Pole required)
	MAM-DS40-BGE	Plastic Wall Mounting Bracket, Beige (Pole required)
	MAM-DS28	Metal Wall Mounting Bracket (Pole & Base required)



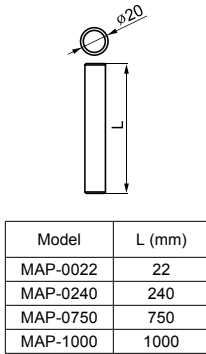
NPT Mounting with NPT Adaptor



Accessories

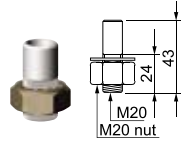
Mounting Poles

MAP-0022
MAP-0240
MAP-0750
MAP-1000

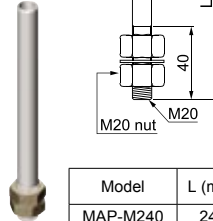


Threaded Poles

MAP-M043



MAP-M240
MAP-M750



Model	L (mm)
MAP-M240	240
MAP-M750	750

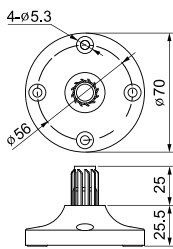
NPT Adaptor

MAP-NPT1/2

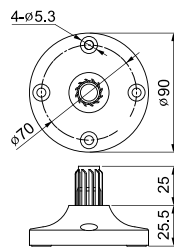


Mounting Bases

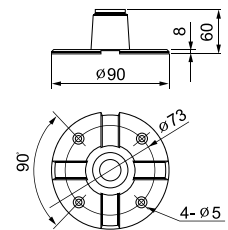
MAM-B070



MAM-B090

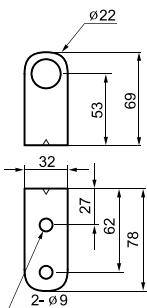


MAM-DS23-20

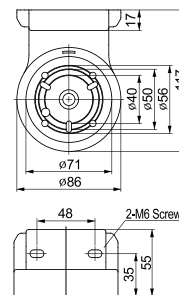


Wall Mount Brackets

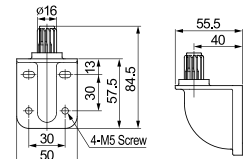
MAM-DS25



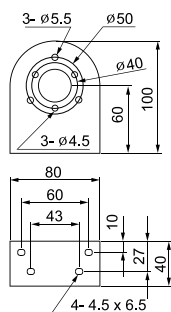
MAM-DS30



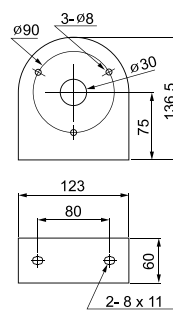
MAM-DS40



MAM-DS26



MAM-DS27



MAM-DS28

