

PRE Ø56mm LED Steady & Flashing with Buzzer

TOWER LIGHTS



- Long life and reliability
- Prism-cut lenses for even light distribution
- Surface, Pole or Wall Mounted (Order poles & bases separately)
- Wire leads
- Add-on Buzzer (80 dB) kit available



Order Information

PRE	F	5	01	RYGBC
①	②	③	④	
Light Style	F		Steady & Flashing	
Number of Stacks	1	1 Light		
	2	2 Lights		
	3	3 Lights		
	4	4 Lights		
	5	5 Lights		
Power Supply	01	DC/AC 12V		
	02	DC/AC 24V		
	10	AC 110V		
	20	AC 220V		
Lens Colors (top to bottom)	R	Red		
	Y	Yellow		
	G	Green		
	B	Blue		
	C	Clear		

Optional Orders

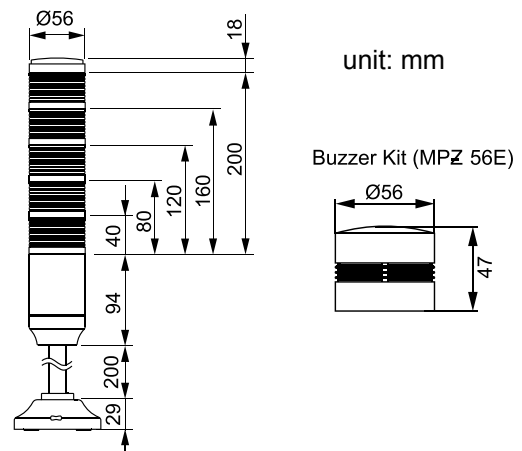
PART	PART NUMBER	DESCRIPTION
Buzzer	MPZ-56E	Ø56mm, 80dB (30mA), 24~240V DC/AC *Buzzer is not available for 12V DC/AC.

Replacement Parts

LED	PRELED-5(□)	24~240V AC/DC
	PRELED-5(□)-12	12V AC/DC
Lens	PEL-5(□)	—

(□): indicates color of LED or Lens; R, Y, G, B or C

Dimensions



Specifications

Power Supply	12V AC/DC	24V AC/DC	120/240V AC
Current Draw	1 Stack	54 mA	28 mA
	2 Stack	109 mA	62 mA
	3 Stack	169 mA	102 mA
	4 Stack	223 mA	136 mA
	5 Stack	275 mA	169 mA
	Buzzer	—	30 mA
Sound Level	—	80 dB	
Flashing rate	80 times/minute		
Rating	IP 56		

See Page 13-14
for Mounting Options and Accessories.

PME Ø45mm LED Steady & Flashing

TOWER LIGHTS

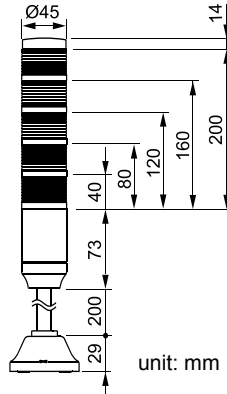


- Long life and reliability
- Prism-cut lenses for even light distribution
- Surface, Pole or Wall Mounted (Order poles & bases separately)
- Wire leads



Specifications

Power Supply		12V AC/DC	24V AC/DC	100-220V AC
Current Draw	1 Stack	41 mA	27 mA	28 mA
	2 Stack	89 mA	57 mA	60 mA
	3 Stack	149 mA	95 mA	99 mA
	4 Stack	204 mA	125 mA	131 mA
	5 Stack	240 mA	155 mA	163 mA
Flashing rate		80 times/minute		
Rating		IP 56		



unit: mm

Order Information

PME **F** - **5** **01** - **RYGBC**
 ① ② ③ ④

① Light Style		Steady
	F	Steady & Flashing
② Number of Stacks	1	1 Light
	2	2 Lights
	3	3 Lights
	4	4 Lights
	5	5 Lights
③ Power Supply	01	DC/AC 12V
	02	DC/AC 24V
	FF	AC 90~240V
④ Lens Colors (top to bottom)	R	Red
	Y	Yellow
	G	Green
	B	Blue
	C	Clear

Replacement Parts

LED	PMELED-4(□)	24~240V AC/DC
	PMELED-4(□)-12	12V AC/DC
Lens	PML-4(□)	—

(□): indicates color of LED or Lens; R, Y, G, B or C

See Page 13-14
for Mounting Options and Accessories.

PAE Ø25mm LED Steady & Flashing

TOWER LIGHTS

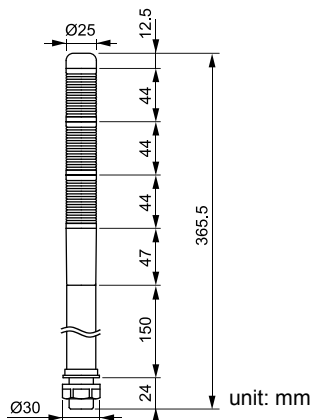


- Long life and reliability
- Prism-cut lenses for even light distribution
- Surface, Pole or Wall Mounted (Order poles & bases separately)
- Wire leads



Specifications

Power Supply		12V AC/DC	24V AC/DC
Current Draw	1 Stack	30 mA	25 mA
	2 Stack	65 mA	60 mA
	3 Stack	100 mA	90 mA
	4 Stack	135 mA	120 mA
	5 Stack	170 mA	150 mA
Flashing rate		80 times/minute	
Rating		IP 56	



unit: mm

Order Information

PAE **F** **M** **G** - **5** **01** - **RYGBC**
 ① ② ③ ④ ⑤ ⑥

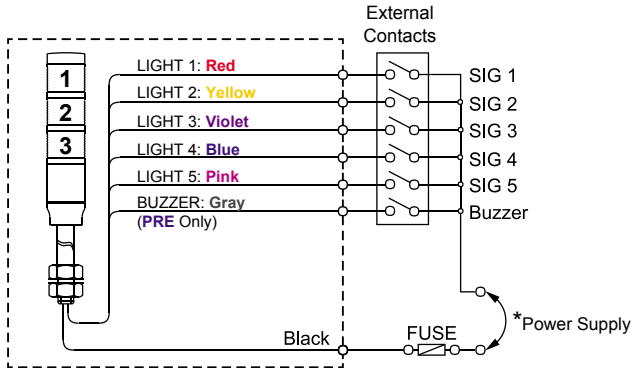
① Light Style		Steady
	F	Steady & Flashing
② Mounting		Standard
	M	Pole Mount
	R	90° Bracket
③ Pole Length		No Pole
	G	51mm pole
	P	150mm pole
④ Number of Stacks	1	1 Light
	2	2 Lights
	3	3 Lights
	4	4 Lights
	5	5 Lights
⑤ Power Supply	01	DC/AC 12V
	02	DC/AC 24V
⑥ Lens Colors (top to bottom)	R	Red
	Y	Yellow
	G	Green
	B	Blue
	C	Clear

PRE / PME / PAE Wiring Diagram

Steady Lights

DC/AC 12V

PRE-01-00000
PME-01-00000
PAE-01-00000

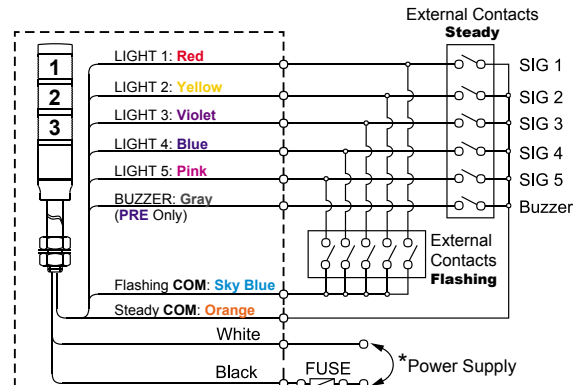


* No polarity for DC applications.

Steady & Flashing Lights

DC/AC 12V

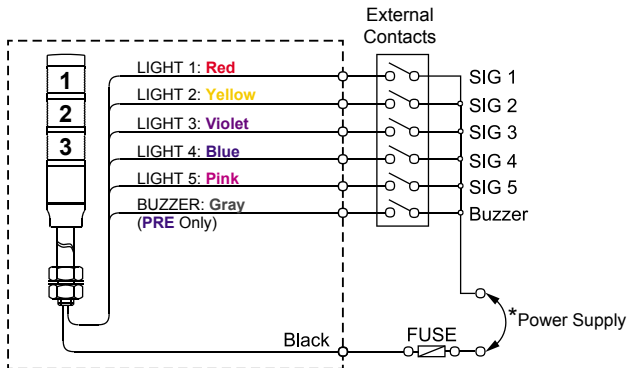
PREF-01-00000
PMEF-01-00000
PAEF-01-00000



* No polarity for DC applications.

DC/AC 24V

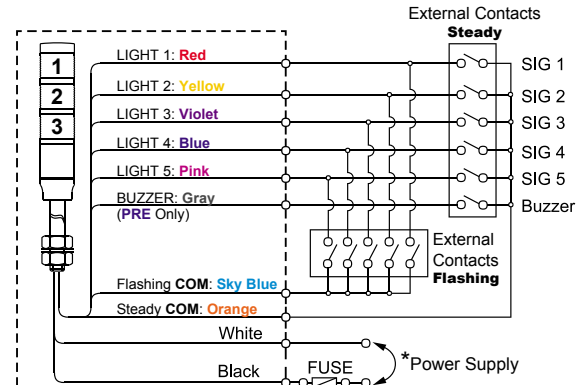
PRE-02-00000
PME-02-00000
PAE-02-00000



* No polarity for DC applications.

DC/AC 24V

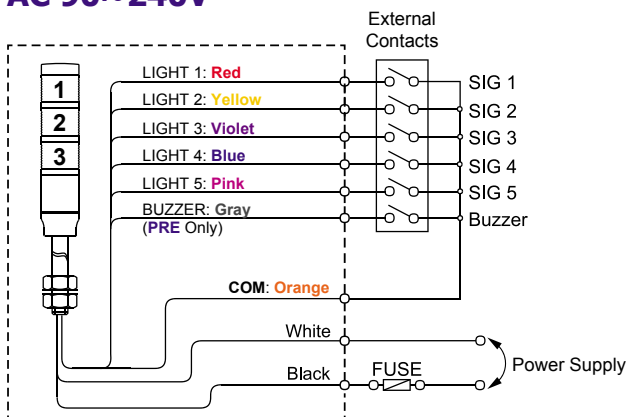
PREF-02-00000
PMEF-02-00000
PAEF-02-00000



* No polarity for DC applications.

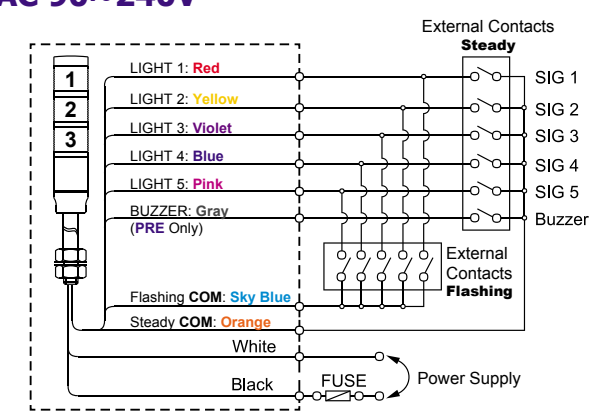
AC 110V
AC 220V
AC 90~240V

PRE-10-00000
PRE-20-00000
PME-FF-00000



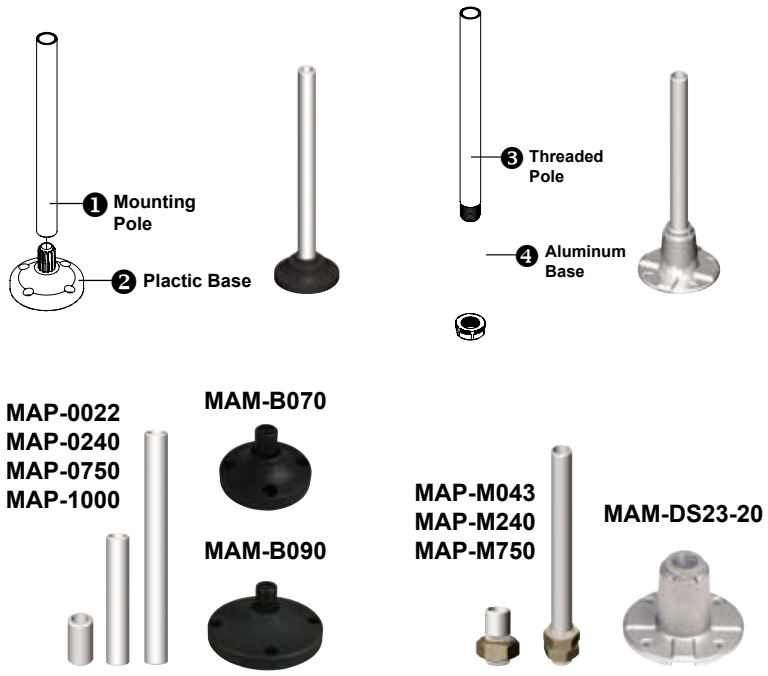
AC 110V
AC 220V
AC 90~240V

PREF-10-00000
PREF-20-00000
PMEF-FF-00000



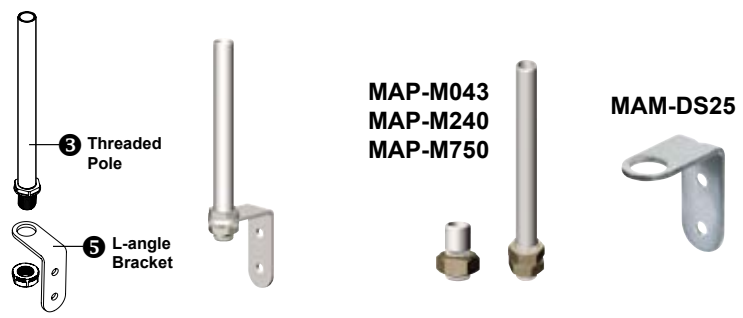
Pole Mounting with Base

Part	Part #	Description
1	MAP-0022	Ø20mm, 0.87 in (22 mm) pole
	MAP-0240	Ø20mm, 9.45 in (240 mm) pole
	MAP-0750	Ø20mm, 29.53 in (750 mm) pole
	MAP-1000	Ø20mm, 39.37 in (1000 mm) pole
2	MAM-B070	Ø70mm Plastic Base
	MAM-B090	Ø90mm Plastic Base
3	MAP-M043	Ø20mm, 1.69 in (43 mm) threaded pole with 1 nut
	MAP-M240	Ø20mm, 9.45 in (240 mm) threaded pole with 2 nuts
	MAP-M750	Ø20mm, 29.53 in (750 mm) threaded pole with 1 nut
4	MAM-DS23-20	Aluminum Base



L-angle Mounting with Bracket

Part	Part #	Description
3	MAP-M043	Ø20mm, 1.69 in (43 mm) threaded pole with 1 nut
	MAP-M240	Ø20mm, 9.45 in (240 mm) threaded pole with 2 nuts
	MAP-M750	Ø20mm, 29.53 in (750 mm) threaded pole with 1 nut
5	MAM-DS25	L-angle Bracket



Wall Mounting with Bracket

Part	Part #	Description
1	MAP-0022	Ø20mm, 0.87 in (22 mm) pole
	MAP-0240	Ø20mm, 9.45 in (240 mm) pole
	MAP-0750	Ø20mm, 29.53 in (750 mm) pole
	MAP-1000	Ø20mm, 39.37 in (1000 mm) pole
2	MAM-B070	Plastic Base
6	MAM-DS30-BLK	Plastic Wall Mounting Bracket, Black (Pole & Base required)
	MAM-DS30-BGE	Plastic Wall Mounting Bracket, Beige (Pole & Base required)
	MAM-DS40-BLK	Plastic Wall Mounting Bracket, Black (Pole required)
	MAM-DS40-BGE	Plastic Wall Mounting Bracket, Beige (Pole required)
	MAM-DS28	Metal Wall Mounting Bracket (Pole & Base required)



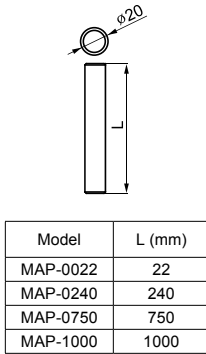
NPT Mounting with NPT Adaptor



Accessories

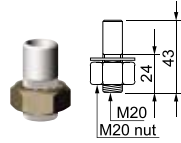
Mounting Poles

MAP-0022
MAP-0240
MAP-0750
MAP-1000

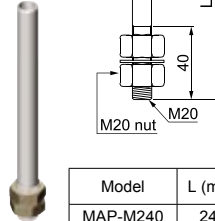


Threaded Poles

MAP-M043



MAP-M240
MAP-M750



Model	L (mm)
MAP-M240	240
MAP-M750	750

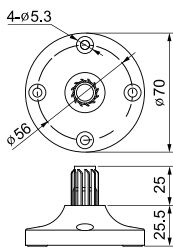
NPT Adaptor

MAP-NPT1/2

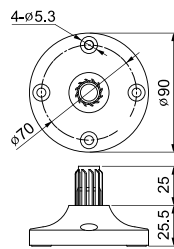


Mounting Bases

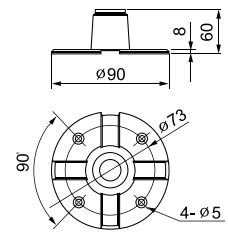
MAM-B070



MAM-B090

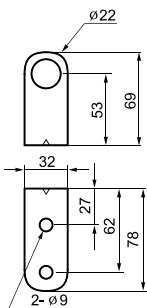


MAM-DS23-20

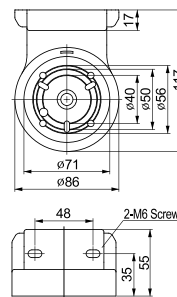


Wall Mount Brackets

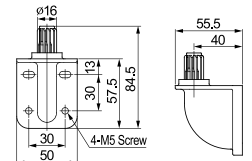
MAM-DS25



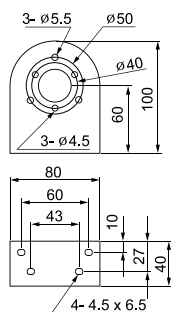
MAM-DS30



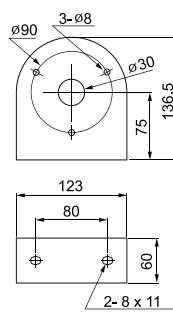
MAM-DS40



MAM-DS26



MAM-DS27



MAM-DS28

