

PTM Ø56mm LED 3 colors in 1 Steady & Flashing with Buzzer

TOWER LIGHTS



- 3 colors in 1 LED modular components
- Bright & even light distribution through prism-cut lenses
- Fast & easy assembly with inter-locking construction
- 3 base body options
- Optional 85dB Buzzer (fixed or adjustable volume)
- NEMA 4x / IP65 rated
- RoHS compliant



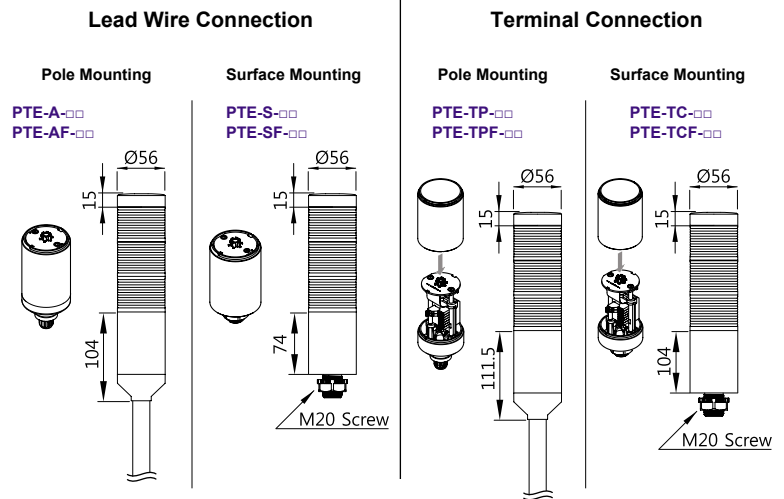
Order Information

Body Units

Body Type		Voltage	Part Number	
			Steady	Steady & Flashing
Lead Wire Connection	Pole Mounting	AC 90~240V	PTE-A-FF	PTE-AF-FF
		DC/AC 24V	PTE-A-02	PTE-AF-02
	Surface Mounting	AC 90~240V	PTE-S-FF	PTE-SF-FF
		DC/AC 24V	PTE-S-02	PTE-SF-02
Terminal Connection	Pole Mounting	AC 90~240V	PTE-TP-FF	PTE-TPF-FF
		DC/AC 24V	PTE-TP-02	PTE-TPF-02
	Surface Mounting	AC 90~240V	PTE-TC-FF	PTE-TCF-FF
		DC/AC 24V	PTE-TC-02	PTE-TCF-02

Dimensions

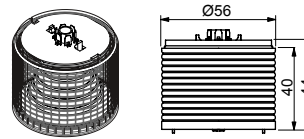
unit: mm



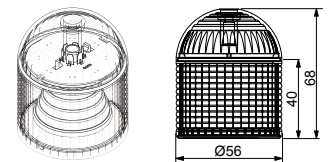
LED Modules

LED Color		Part Number	
		Standard Module	Dome Head Module
3 colors in 1	R/Y/G	PTM-02RYG	PTMD-02RYG
	R/B/G	PTM-02RBG	PTMD-02RBG

Standard Modules



Dome Head Modules



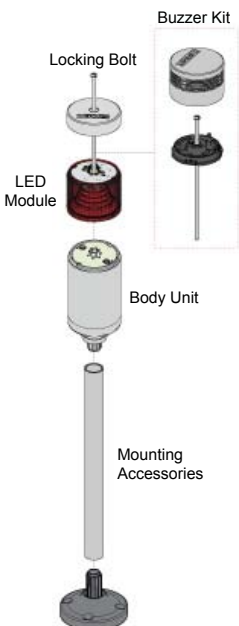
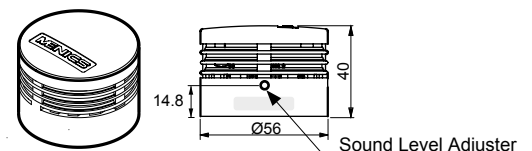
Locking Bolts

Part Number	Size
B-PTE-1	M4, 65mm

Buzzer Kits (Optional)

Buzzer Style	Part Number
Fixed Sound Level	MPZ-56F
Adjustable Sound Level	MPZ-56G

Buzzer Kits



See Page 13-14 for Mounting Options and Accessories.

Specifications

Body Units

Operation/Function	Steady/ Flashing	
Power Supply	AC/DC 24V (±10%)	AC 90~240V 50/60 Hz (±10%)
Buzzer Sound Level	Fixed: 85dB Adjustable: 10~85dB	
Lens Color	3 colors in 1 module: Red/Yellow/Green, Red/Blue/Green	
Lens Diameter	56 mm (2.2 inch)	
Maximum Tier	2	
Flash Rate	80 times/ minute	
Vibration	3mm at 10~55Hz	
Ambient Temperature	-15°C~40°C	
Storage Temperature	-40°C ~ 70°C	
Ambient Humidity	45~85% RH	
Degree of Protection	NEMA 4x, IP65 / IP50 (with Buzzer)	
Approvals	CE , UL, RoHS	
Recommended Wire Size	1007 UL / 22 AWG	

LED Modules

Color		3 colors in 1			
		R/Y/G		R/B/G	
Current / Power	Standard Module	R	30mA / 0.72W	R	30mA / 0.72W
		Y		G	30mA / 0.72W
		G	25mA / 0.6W	B	25mA / 0.6W
	Dome Head Module	R	58mA / 2.64 W	R	58mA / 2.64 W
		Y		G	52mA / 1.25W
		G	52mA / 1.25W	B	52mA / 1.25W
Weight		Standard Module: 42.8g		Dome Head Module: 53g	

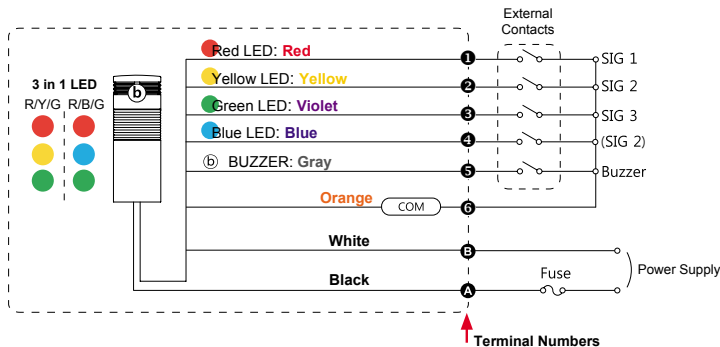
Buzzer Kits

Model	MPZ-56F	MPG-56G
Style	Fixed Sound Level	Adjustable Sound Level
Sound Level	85 dB	10~85 dB
Current Consumption / Power	30mA / 0.72W	30mA / 0.72W
Weight	32.2g	33g

Wiring Diagram

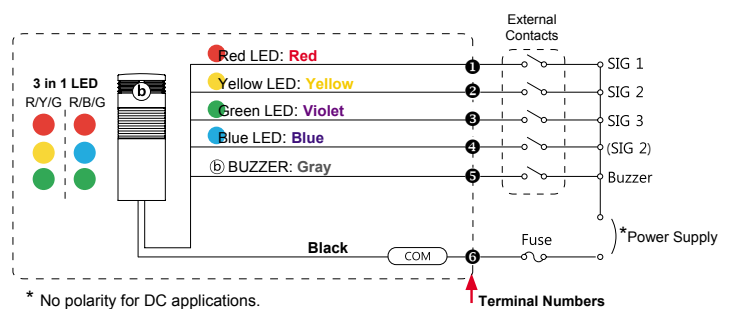
AC 90~240V Steady Lights

PTE-A-FF PTE-S-FF PTE-T□-FF



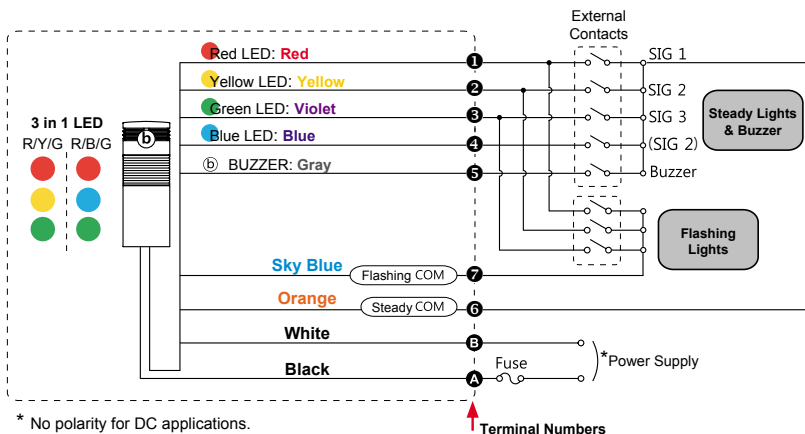
DC/AC 24V Steady Lights

PTE-A-02 PTE-S-02 PTE-T□-02

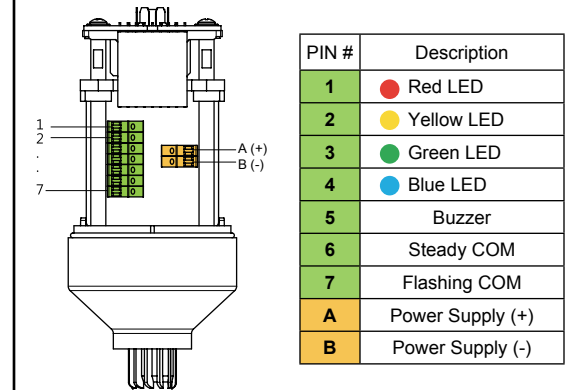


AC 90~240V DC/AC 24V Steady & Flashing Lights

PTE-AF-02 PTE-AF-FF
PTE-SF-02 PTE-SF-FF
PTE-T□F-02 PTE-T□F-FF

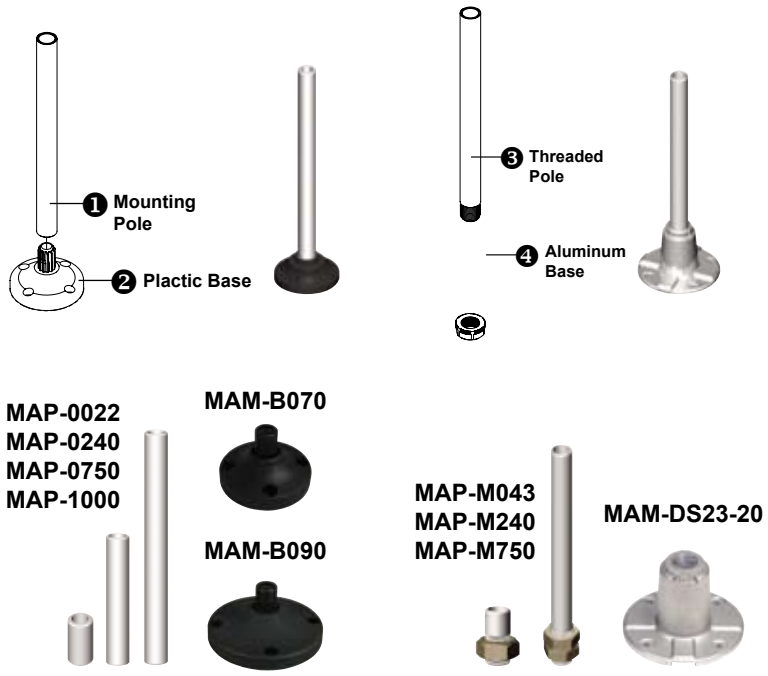


Terminal Connections



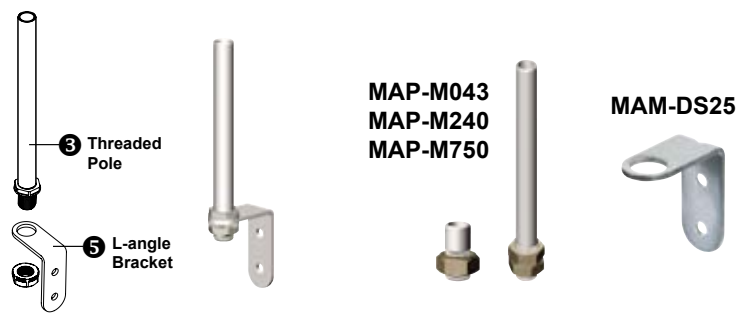
Pole Mounting with Base

Part	Part #	Description
1	MAP-0022	Ø20mm, 0.87 in (22 mm) pole
	MAP-0240	Ø20mm, 9.45 in (240 mm) pole
	MAP-0750	Ø20mm, 29.53 in (750 mm) pole
	MAP-1000	Ø20mm, 39.37 in (1000 mm) pole
2	MAM-B070	Ø70mm Plastic Base
	MAM-B090	Ø90mm Plastic Base
3	MAP-M043	Ø20mm, 1.69 in (43 mm) threaded pole with 1 nut
	MAP-M240	Ø20mm, 9.45 in (240 mm) threaded pole with 2 nuts
	MAP-M750	Ø20mm, 29.53 in (750 mm) threaded pole with 1 nut
4	MAM-DS23-20	Aluminum Base



L-angle Mounting with Bracket

Part	Part #	Description
3	MAP-M043	Ø20mm, 1.69 in (43 mm) threaded pole with 1 nut
	MAP-M240	Ø20mm, 9.45 in (240 mm) threaded pole with 2 nuts
	MAP-M750	Ø20mm, 29.53 in (750 mm) threaded pole with 1 nut
5	MAM-DS25	L-angle Bracket



Wall Mounting with Bracket

Part	Part #	Description
1	MAP-0022	Ø20mm, 0.87 in (22 mm) pole
	MAP-0240	Ø20mm, 9.45 in (240 mm) pole
	MAP-0750	Ø20mm, 29.53 in (750 mm) pole
	MAP-1000	Ø20mm, 39.37 in (1000 mm) pole
2	MAM-B070	Plastic Base
6	MAM-DS30-BLK	Plastic Wall Mounting Bracket, Black (Pole & Base required)
	MAM-DS30-BGE	Plastic Wall Mounting Bracket, Beige (Pole & Base required)
	MAM-DS40-BLK	Plastic Wall Mounting Bracket, Black (Pole required)
	MAM-DS40-BGE	Plastic Wall Mounting Bracket, Beige (Pole required)
	MAM-DS28	Metal Wall Mounting Bracket (Pole & Base required)



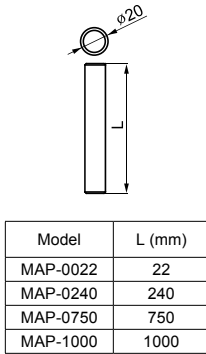
NPT Mounting with NPT Adaptor



Accessories

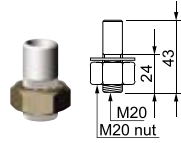
Mounting Poles

MAP-0022
MAP-0240
MAP-0750
MAP-1000

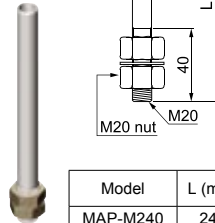


Threaded Poles

MAP-M043



MAP-M240
MAP-M750



Model	L (mm)
MAP-M240	240
MAP-M750	750

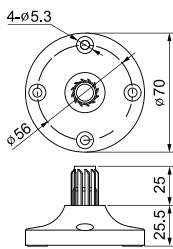
NPT Adaptor

MAP-NPT1/2

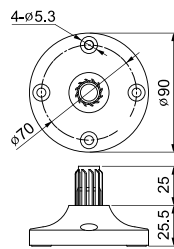


Mounting Bases

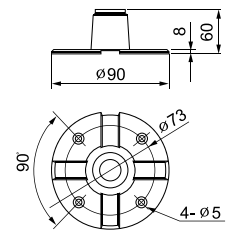
MAM-B070



MAM-B090

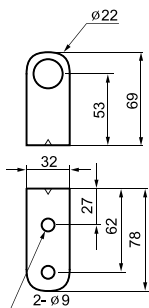


MAM-DS23-20

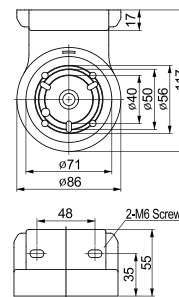


Wall Mount Brackets

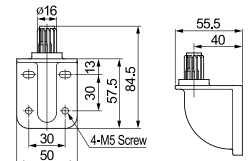
MAM-DS25



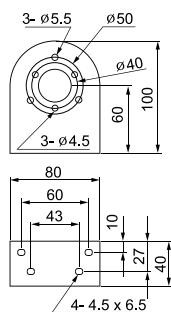
MAM-DS30



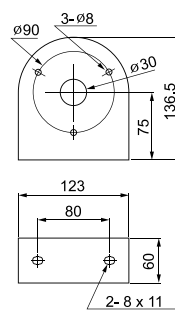
MAM-DS40



MAM-DS26



MAM-DS27



MAM-DS28

