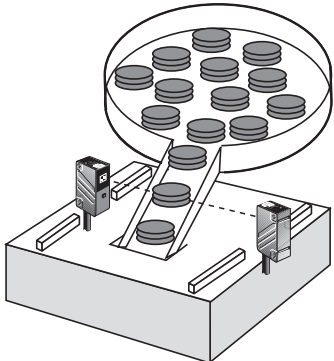
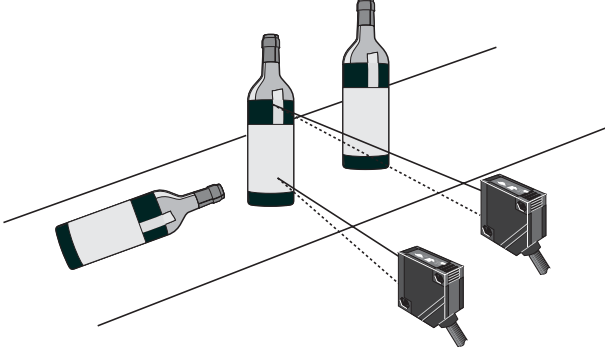
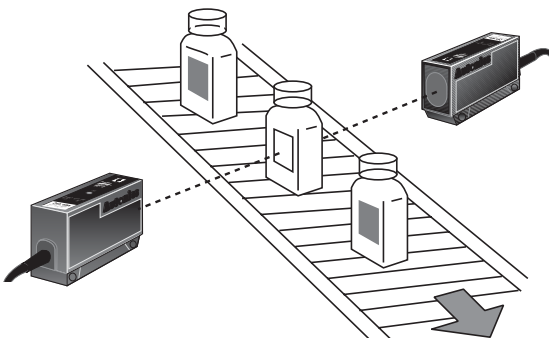
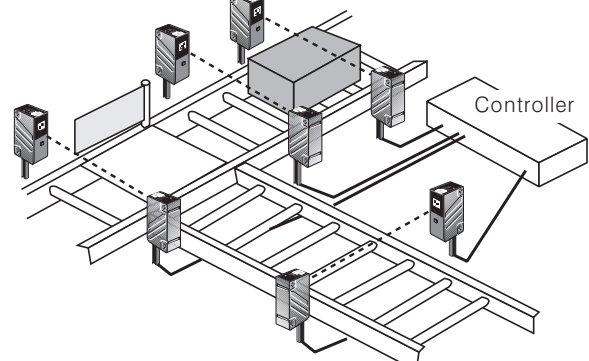
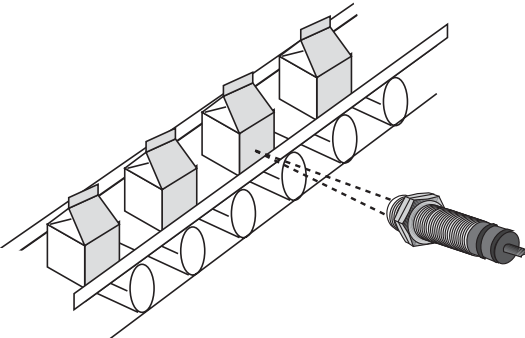
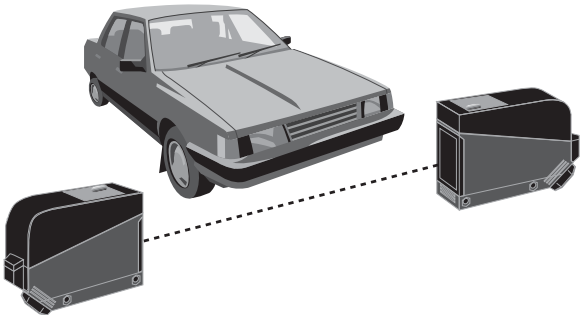
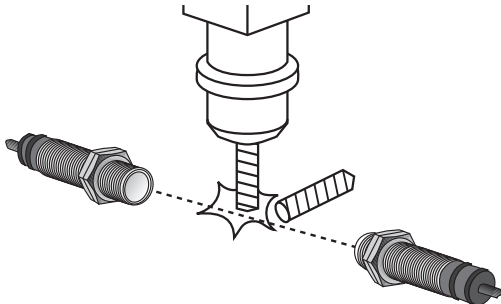
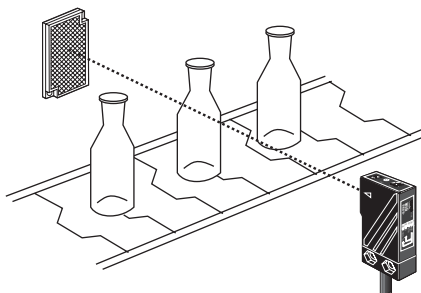
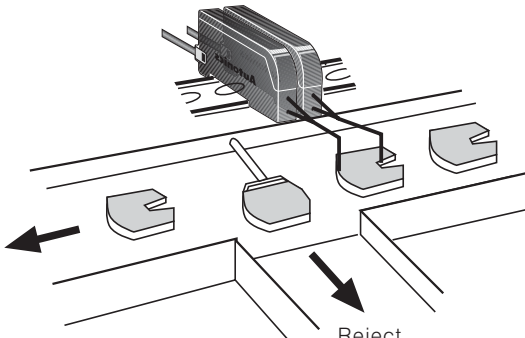
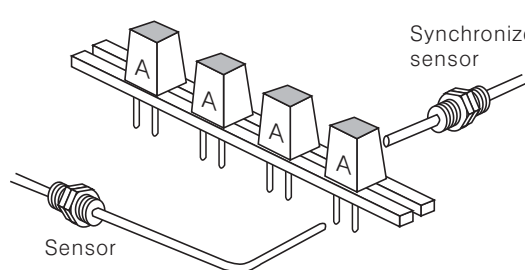
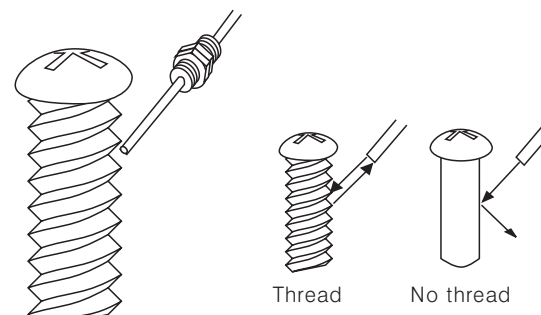
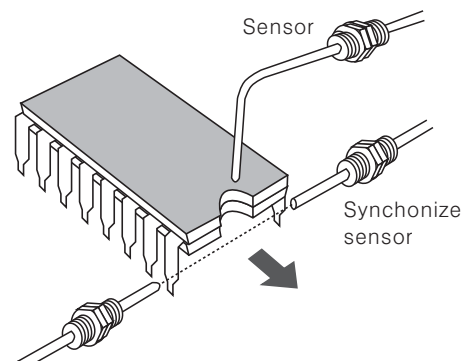
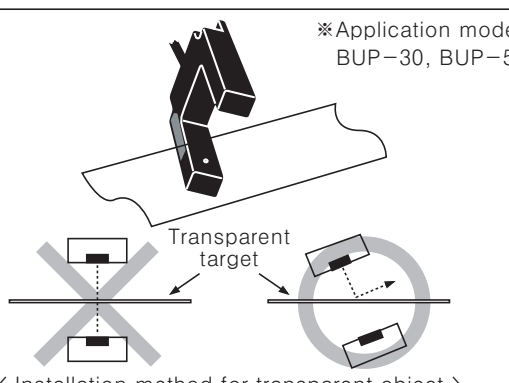
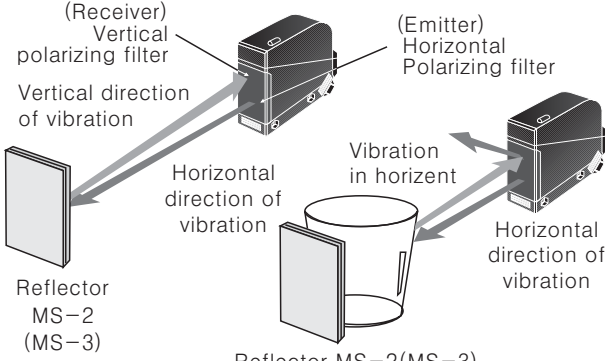
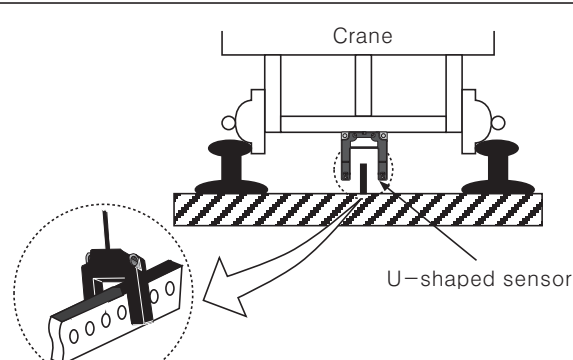
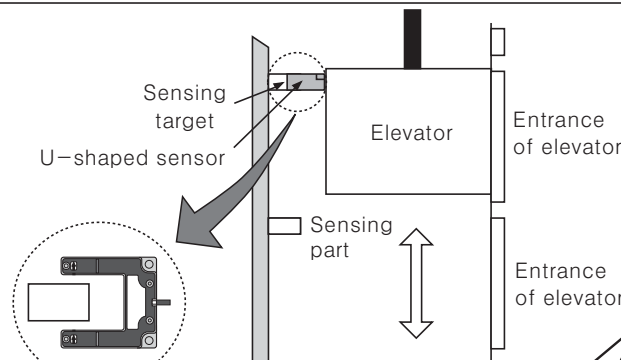


## ■ Applications

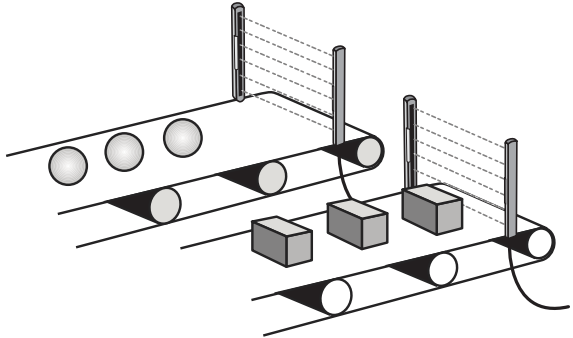
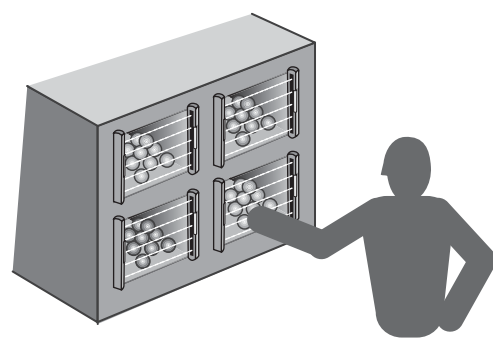
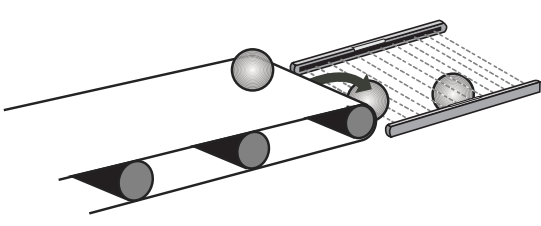
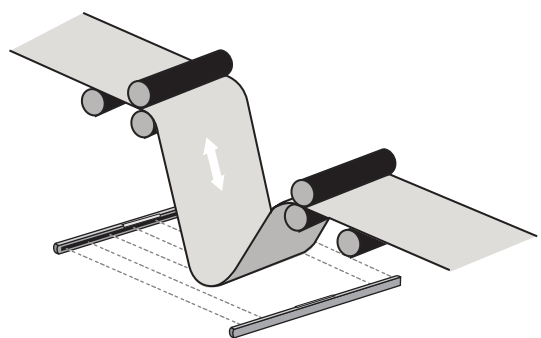
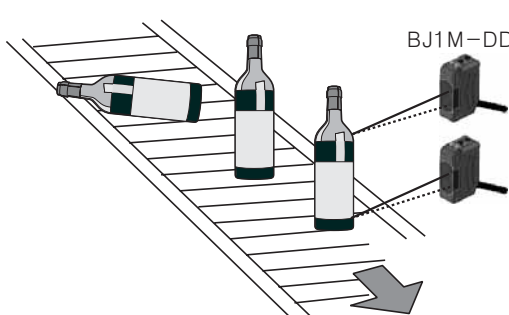
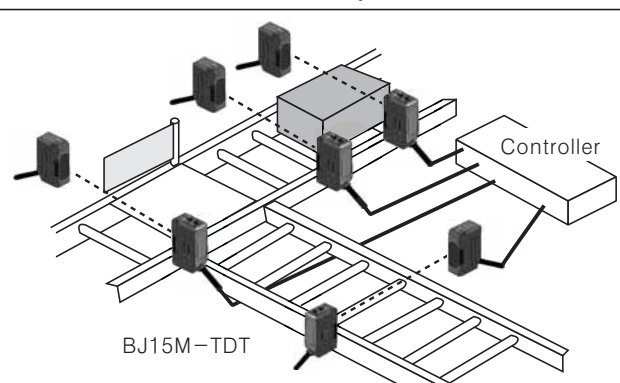
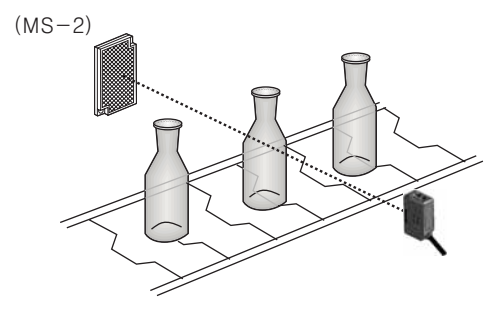
<p>Detection of passing objects in narrow place</p> 	<p>Detection of fallen bottle</p> 	(A) Counter
<p>Label detection of transparent bottle</p> 	<p>Automatic conveyor line</p> 	(B) Timer
<p>Detection of milk pack</p> 	<p>Detection of passing of the car</p> 	(C) Temp. controller
<p>Detection of a broken drill blade</p> <p>※If the drill blade is thin, it cannot be detected because BR4M-TDT□ detects the object over 15mm.</p> 	<p>Detection of present / absence of transparent bottle</p> <p>※Retroreflective type(Able to adjust sensitivity)</p> 	(D) Power controller
		(E) Panel meter
		(F) Tacho/ Speed/ Pulse meter
		(G) Display unit
		(H) Sensor controller
		(I) Switching power supply
		(J) Proximity sensor
		(K) Photo electric sensor
		(L) Pressure sensor
		(M) Rotary encoder
		(N) Stepping motor & Driver & Controller
		(O) Graphic panel
		(P) Production stoppage models & replacement

# Application

## ■ Applications

<p>Detection of the form of targets</p> 	<p>Detection of components leads</p> 
<p>Detection of presence / absence of tap</p> 	<p>Detection of IC direction</p> 
<p>Detection of transparent vinyl</p> <p>※Application model BUP-30, BUP-50</p> 	<p>Polarizing filter built in</p> 
<p>Detecting position of moving target</p> 	<p>Detecting position of elevator</p> 

## ■ Applications

<p>Detecting arrival of components</p> 	<p>Detection of approaching object or person</p> 
<p>Detection of fallen object</p> 	<p>Detection of lengthened part</p> 
<p>Detection of fallen bottle</p>  <p>BJ1M-DDT</p>	<p>Automatic conveyor line</p>  <p>Controller</p> <p>BJ15M-TDT</p>
<p>Detection of transparent bottle</p>  <p>(MS-2)</p> <p>BJ3M-PDT</p>	

- (A) Counter
- (B) Timer
- (C) Temp. controller
- (D) Power controller
- (E) Panel meter
- (F) Tacho/Speed/Pulse meter
- (G) Display unit
- (H) Sensor controller
- (I) Switching power supply
- (J) Proximity sensor
- (K) Photo electric sensor
- (L) Pressure sensor
- (M) Rotary encoder
- (N) Stepping motor & Driver & Controller
- (O) Graphic panel
- (P) Production stoppage models & replacement