
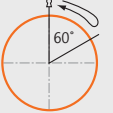



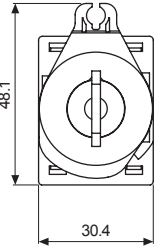
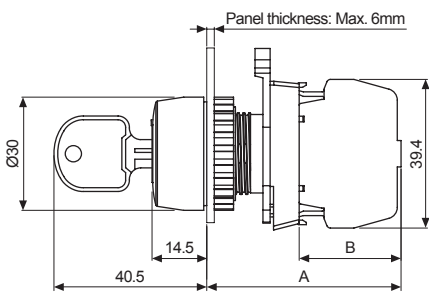


Ø22/25 Key Selector Switches

Ø22/25 Round Key Selector Switches (S2KR Series)

Type	Appearance	Operating position		Model	Contact block		LED block										
					A contact	B contact	AC/DC voltage	AC voltage									
Extended	 S2KR-1EK□	2-position, spring return key removal: center		S2KR-1E□A(M)	1	—	—	—									
				S2KR-1E□2A(M)	2	—											
				S2KR-1E□B(M)	—	1											
				S2KR-1E□2B(M)	—	2											
				S2KR-1E□AB(M)	1	1											
		2-position, maintained key removal: right		S2KR-2D□A(M)	1	—											
				S2KR-2D□2A(M)	2	—											
				S2KR-2D□B(M)	—	1											
				S2KR-2D□2B(M)	—	2											
		2-position, maintained key removal: center		S2KR-2E□A(M)	1	—											
				S2KR-2E□2A(M)	2	—											
				S2KR-2E□B(M)	—	1											
				S2KR-2E□2B(M)	—	2											
		2-position, maintained key removal: center + right		S2KR-2F□AB(M)	1	1											
				S2KR-2F□A(M)	1	—											
				S2KR-2F□2A(M)	2	—											
				S2KR-2F□B(M)	—	1											
				S2KR-2F□2B(M)	—	2											
						S2KR-2F□AB(M)			1	1							
				※□ indicates color: K , S ※The M in the model name indicates modular type contact block. Models without M are singular contact block. ※The control unit, contact blocks, LED blocks are sold separately. (control unit: bold letters, contact block: regular letters) ※Connect up to 2 contact blocks. Connect the contact blocks only on the right and left side slots. It will not operate if connected to the center slot.													
		• Dimensions															
																	
																	
				(unit: mm)													
				<table border="1"> <thead> <tr> <th></th> <th>A</th> <th>B</th> </tr> </thead> <tbody> <tr> <td>Singular type</td> <td>51.5</td> <td>27.0</td> </tr> <tr> <td>Modular type</td> <td>49.5</td> <td>25.0</td> </tr> </tbody> </table>						A	B	Singular type	51.5	27.0	Modular type	49.5	25.0
	A	B															
Singular type	51.5	27.0															
Modular type	49.5	25.0															
				※For panel cut-out dimensions, please refer to page A-82.													

Ø22/25 Key Selector Switches

Control Switches

Ø16

Ø22/25

Ø30

□30

Push Button Switches

Round

Square

Rectangular

Selector Switches

Round

Square

Rectangular

Key Selector Switches

Round

Square

Rectangular

Double Push Button Switches



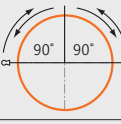
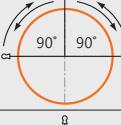
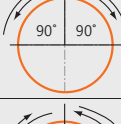
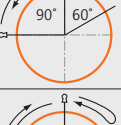
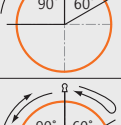
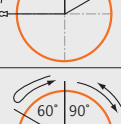
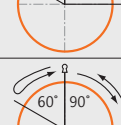
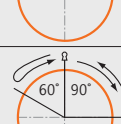

Mushroom-head Push Button Switches

Emergency Switches

Pilot Lights

Accessories

Buzzers

Type	Appearance	Operating position	Model	Contact block		LED block	
				A contact	B contact	AC/DC voltage	AC voltage
Extended		3-position, spring return two-way key removal: center	 S2KR-3E □2A(M)	2	—	—	—
			S2KR-3E □2B(M)	—	2		
			S2KR-3E □AB(M)	1	1		
		3-position, maintained key removal: left + right	 S2KR-4B □2A(M)	2	—		
			S2KR-4B □2B(M)	—	2		
			S2KR-4B □AB(M)	1	1		
		3-position, maintained key removal: left+center + right	 S2KR-4C □2A(M)	2	—		
			S2KR-4C □2B(M)	—	2		
			S2KR-4C □AB(M)	1	1		
		3-position, maintained key removal: center	 S2KR-4E □2A(M)	2	—		
			S2KR-4E □2B(M)	—	2		
			S2KR-4E □AB(M)	1	1		
		3-position, spring return from right key removal: left	 S2KR-5A □2A(M)	2	—		
			S2KR-5A □2B(M)	—	2		
			S2KR-5A □AB(M)	1	1		
		3-position, spring return from right key removal: center	 S2KR-5E □2A(M)	2	—		
			S2KR-5E □2B(M)	—	2		
			S2KR-5E □AB(M)	1	1		
		3-position, spring return from right key removal: left+center	 S2KR-5G □2A(M)	2	—		
			S2KR-5G □2B(M)	—	2		
			S2KR-5G □AB(M)	1	1		
		3-position, spring return from left key removal: right	 S2KR-6D □2A(M)	2	—		
			S2KR-6D □2B(M)	—	2		
			S2KR-6D □AB(M)	1	1		
3-position, spring return from left key removal: center	 S2KR-6E □2A(M)	2	—				
	S2KR-6E □2B(M)	—	2				
	S2KR-6E □AB(M)	1	1				
3-position, spring return from left key removal: center + right	 S2KR-6F □2A(M)	2	—				
	S2KR-6F □2B(M)	—	2				
	S2KR-6F □AB(M)	1	1				

※□ indicates color: **K**, **S**

※The M in the model name indicates modular type contact block. Models without M are singular contact block.

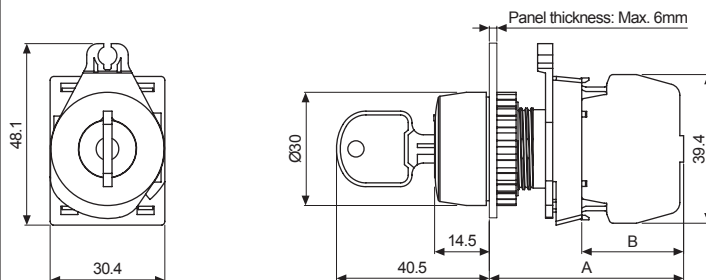
※The control unit, contact blocks, LED blocks are sold separately.

(control unit: bold letters, contact block: regular letters)

※Connect up to 2 contact blocks. Connect the contact blocks only on the right and left side slots. It will not operate if connected to the center slot.

• Dimensions

(unit: mm)




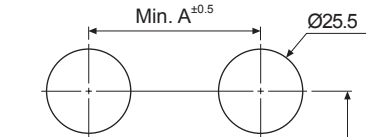
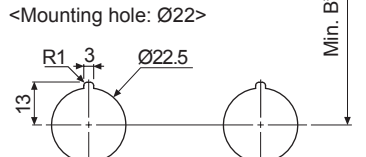









	A	B
Singular type	51.5	27.0
Modular type	49.5	25.0

※For panel cut-out dimensions, please refer to page A-82.

Ø22/25 Panel Cut-out Dimensions

Ø22/25 Panel Cut-out Dimensions

(unit: mm)

Type		A	B	Panel Cut-out Dimensions
Round/Square Push Button Switches (S2PR/S2PRS Series)		 33	55	<p><Mounting hole: Ø25></p>  <p><Mounting hole: Ø22></p> 
Round Selector Switches (S2SR/S2SRN Series)	Short lever	 33	55	
	Long lever	 55	55	
Round Key Selector Switches (S2KR Series)		 33	55	
Double Push Button Switches (S2TR Series)		 33	60	
Mushroom-head Push Button Switches (S2BR Series)		 33	55	
Emergency Switches (S2ER Series)	D30	 33	55	
	D40	 55	55	
	D60	 80	80	
Pilot Lights (L2RR Series)		 33	55	