

Alarm Output Type

ALARM, SUB output type

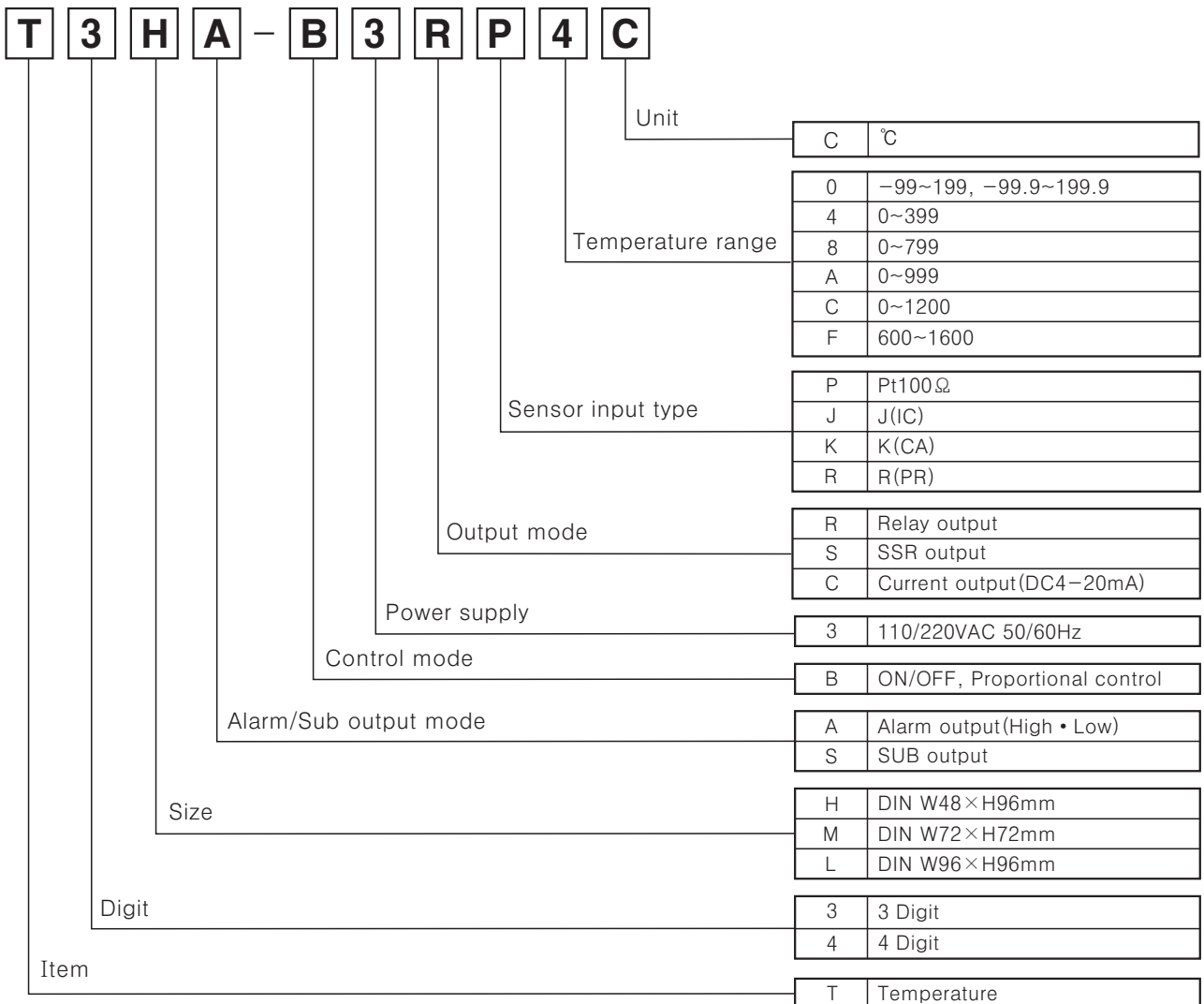
■ Features

- Alarm, SUB output type
- High accuracy measurement : ± 0.5
- Various size



⚠ Please read "Caution for your safety" in operation manual before using.

■ Ordering information



※ See C-29 about sensor temperature range for selection.

(A) Counter

(B) Timer

(C) Temp. controller

(D) Power controller

(E) Panel meter

(F) Tacho/Speed/Pulse meter

(G) Display unit

(H) Sensor controller

(I) Switching power supply

(J) Proximity sensor

(K) Photo electric sensor

(L) Pressure sensor

(M) Rotary encoder

(N) Stepping motor & Driver & Controller

(O) Graphic panel

(P) Production stoppage models & replacement

T3HA/T3HS/T4MA/T4LA

Temperature range for each sensor

Model	T3HA			T3HS			T4MA / T4LA								
	Thermocouples		RTD	Thermocouples		RTD	Thermocouples			RTD					
	J(IC)	K(CA)	Pt100Ω	J(IC)	K(CA)	Pt100Ω	J(IC)	K(CA)	R(PR)	Pt100Ω					
(°C)															
Standard scale range	399°C	399°C	999°C	399°C	399°C	399°C	399°C	399°C	799°C	1200°C	1600°C	600°C	199.9°C	399°C	-99.9°C

※In case, the sensor is R(PR) type, it is not available to indicate the temperature and control correctly.

Specifications

Model	T3HA	T3HS	T4MA	T4LA
Power supply	110/220VAC 50/60Hz			
Allowable voltage range	90 ~ 110% of rated voltage			
Power consumption	3VA			
Display method	7 Segment LED Display			
Character size	W6×H10mm		W7.2×H9.8mm	W9.5×H14.2mm
Display accuracy	F · S ± 0.5% rdg ± 1digit			
Setting type	Digital switch setting			
Setting accuracy	F · S ± 0.5%			
Sensor input	Thermocouples : K(CA), J(IC), R(PR) / RTD : Pt100Ω			
Input line resistance	Thermocouples : Max. 100Ω, RTD : Max. 5Ω per a wire			
Control	ON/OFF	Hysteresis : Variable F · S 0.2~3%		
	Proportional	Proportional band : Variable F · S 1~10%, Period : 20sec. fixed		
Alarm output	SUB	SUB : Variable 0 ~ -50°C		
	Alarm	(Note) ALARM : Variable F · S 1~10%		
RESET adjuster range	F · S ± 3% Variable (Only for control deviation)			
Control output	<ul style="list-style-type: none"> Relay contact output : 250VAC 3A 1c SSR output : 24VDC ± 3V 20mA Max. Current output : DC4~20mA Load 600Ω Max. 			
	ALARM OUT : 250VAC 1A 1a	SUB OUT : 250VAC 1A 1a	ALARM OUT : 250VAC 1A 1a	ALARM OUT : 250VAC 1A 1c
Self-diagnosis	Includes burn out function			
Insulation resistance	Min. 100MΩ (at 500VDC mega)			
Dielectric strength	2000VAC 50/60Hz for 1 minute			
Noise strength	± 1kV the square wave noise (pulse width: 1μs) by the noise simulator			
Vibration	Mechanical	0.75mm amplitude at frequency of 10 ~ 55Hz in each of X, Y, Z directions for 1 hour		
	Malfunction	0.5mm amplitude at frequency of 10 ~ 55Hz in each of X, Y, Z directions for 10 minutes		
Shock	Mechanical	300m/s ² (Approx. 30G) 3 times at X, Y, Z direction		
	Malfunction	100m/s ² (Approx. 10G) 3 times at X, Y, Z direction		
Relay life cycle	Mechanical	Min. 10,000,000 times		
	Electrical	Min. 100,000 times (250VAC 3A at resistive load)		
Ambient temperature	-10 ~ +50°C (at non-freezing status)			
Storage temperature	-20 ~ +60°C (at non-freezing status)			
Ambient humidity	35 ~ 85%RH			
Unit weight	Approx. 514g	Approx. 517g	Approx. 425g	Approx. 484g

※ **(Note)** F.S is same with sensor measuring temperature range.

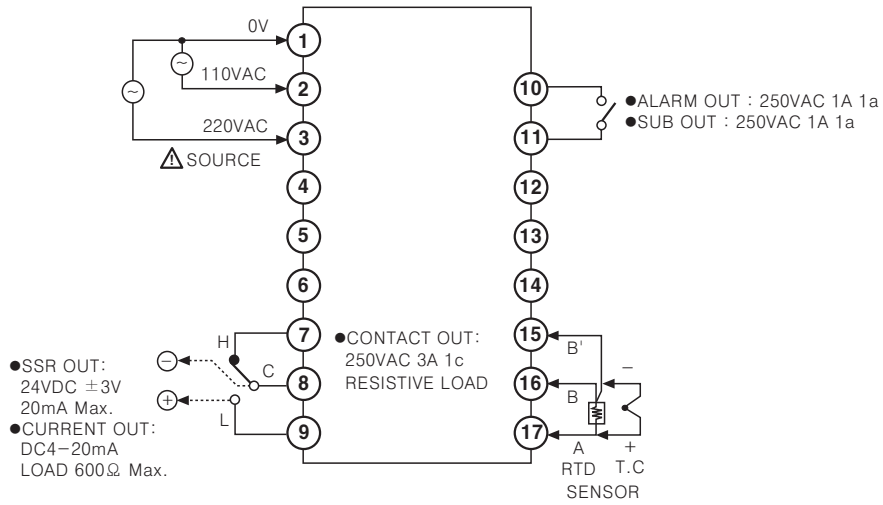
Ex) In case of using temperature is from -99.9 ~ 199.9°C, Full scale is 299.8.

Alarm Output Type

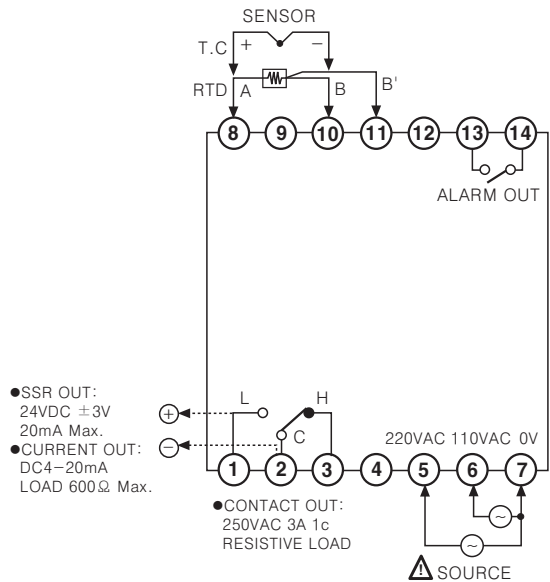
Connections

※RTD(Resistance Temperature Detector) : Pt 100Ω(3-wire type) ※Thermocouple : K, J, R

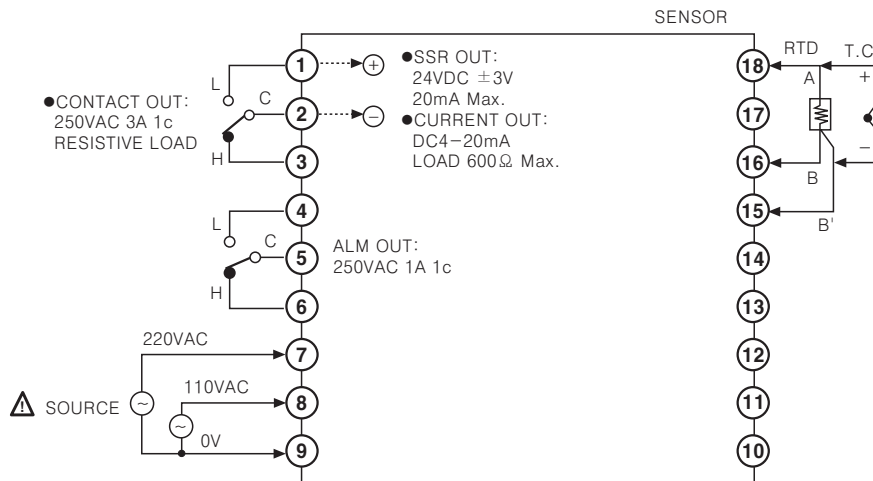
●T3HA, T3HS



●T4MA



●T4LA



(A)
Counter

(B)
Timer

(C)
Temp.
controller

(D)
Power
controller

(E)
Panel
meter

(F)
Tacho/
Speed/
Pulse
meter

(G)
Display
unit

(H)
Sensor
controller

(I)
Switching
power
supply

(J)
Proximity
sensor

(K)
Photo
electric
sensor

(L)
Pressure
sensor

(M)
Rotary
encoder

(N)
Stepping
motor &
Driver &
Controller

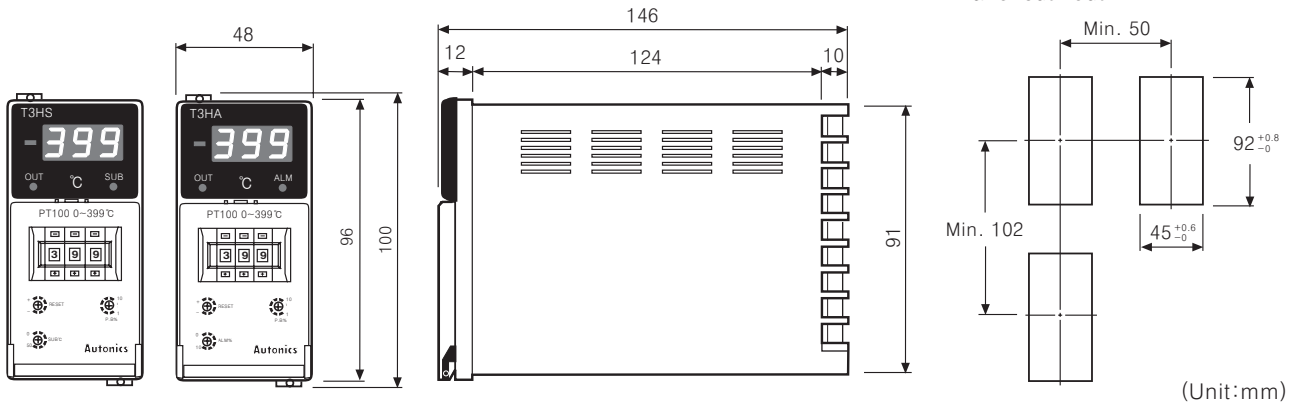
(O)
Graphic
panel

(P)
Production
stoppage
models &
replacement

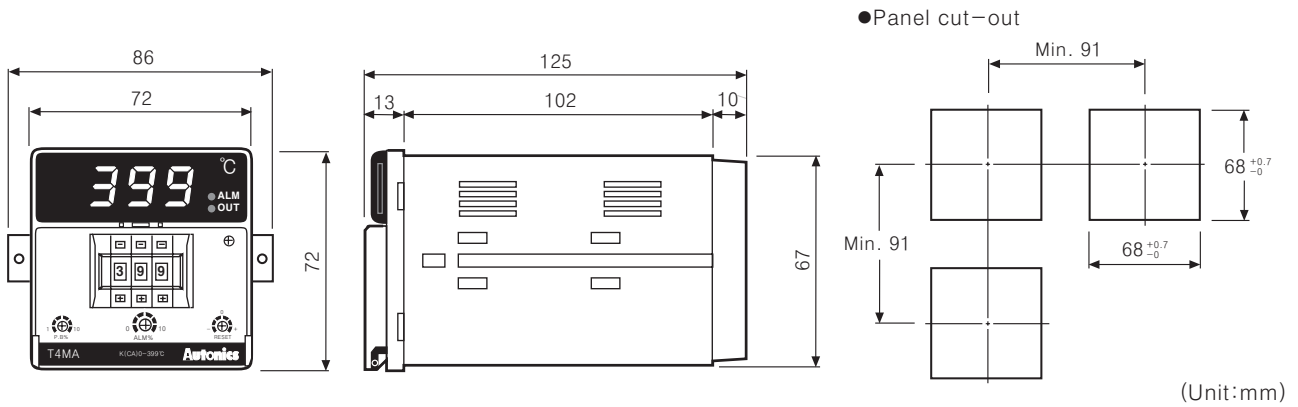
T3HA/T3HS/T4MA/T4LA

■ Dimensions

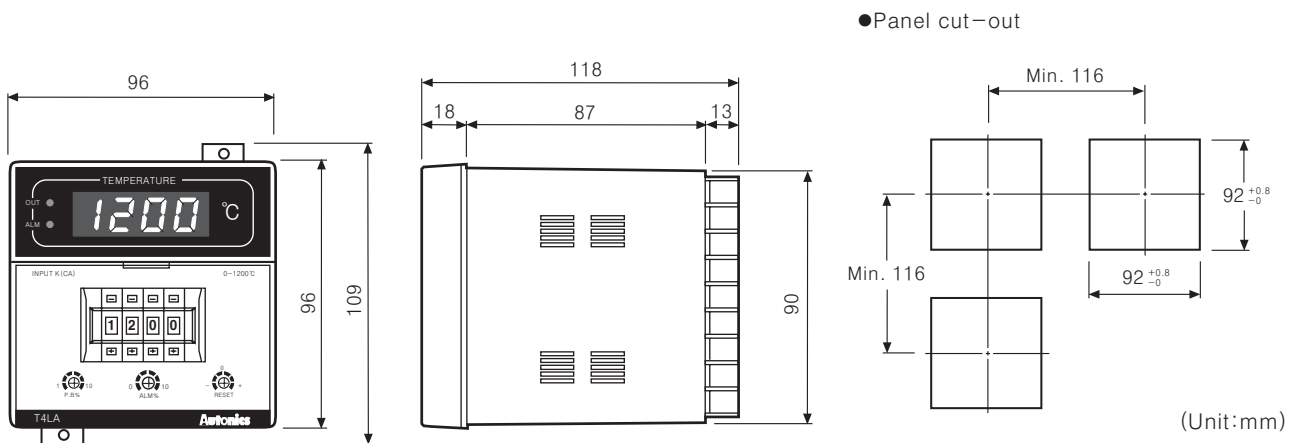
● T3HA, T3HS



● T4MA



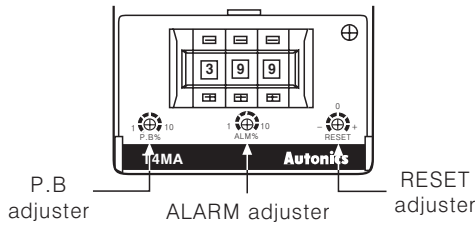
● T4LA



Alarm Output Type

■ Proper usage

◎ Using front adjuster



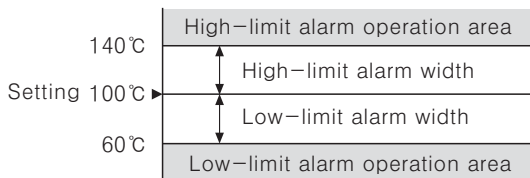
● P.B adjuster

In case of ON/OFF control, set variable $F \cdot S$ 0.2~3% of hysteresis, and in case of proportional control, set variable $F \cdot S$ 1~10% of hysteresis.

● ALARM adjuster

It adjusts alarm range ($F \cdot S$ 1~10%) and having 1:1 range for upper and lower limited range by set value.

Ex) In case the full scale of temperature controller is 400°C , if setting alarm range is maximum, the value is $400^{\circ}\text{C} \times 0.1 = 40^{\circ}\text{C}$. And the alarm range is high-limit 40°C and lower-limit 40°C .

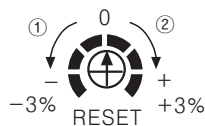


(Note) Full scale (F.S) of the alarm is from 0° up to max. temperature.

Ex) In case of using temperature is from $-99 \sim 199^{\circ}\text{C}$, Full scale is 299°C .

● RESET adjuster

It corrects offset can be occurred by proportional control and has $F \cdot S \pm 3\%$ of adjustable range. Do not operate the adjuster when it is used as ON/OFF control.



① Turn left when offset value is higher than set value. (Direction ①)

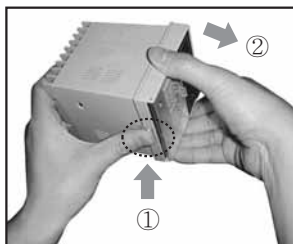
② Turn right when offset value is lower than set value. (Direction ②)

◎ Case detachment

● T4MA



● T3HA(S)/T4LA



Pressing the front guide of Lock toward ① and pull squeeze and pull toward ②, it is detached.

Open the front guide, turn it toward ① and pull toward ②, it is detached.

◎ How to select ON/OFF or proportional by plug pin

Factory specification is proportional control.

When using ON/OFF control, transfer the switch of control mode from P to F after detaching the switch from its body. When control output is current output, P control is fixed, there is no switch Pin of control mode.



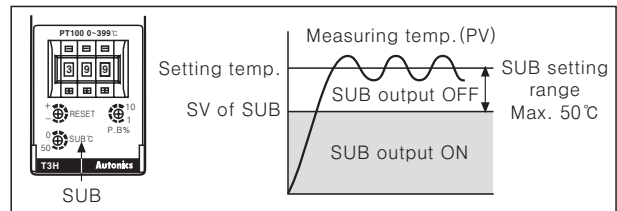
◎ Normal/Reverse operation

Reverse operation executes to output ON when processing value is lower than setting value, and it is used for heating. Normal operation is executed conversely and used for cooling. (This item runs as a reverse operation)

◎ SUB function (T3HS)

SUB output is for alarm used as injector, etc.

If the temperature of controlled material reaches to SUB setting value, the SUB output runs and keeps ON continuously.

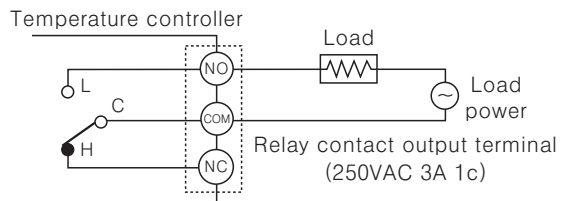


※ SUB function is included only in T3H series.

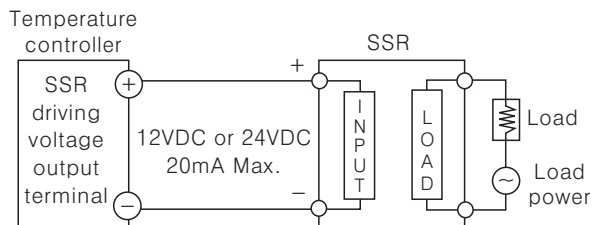
※ SUB range can be set up to 50°C lower than setting value.

◎ Application of temperature controller and load connection

● Relay output

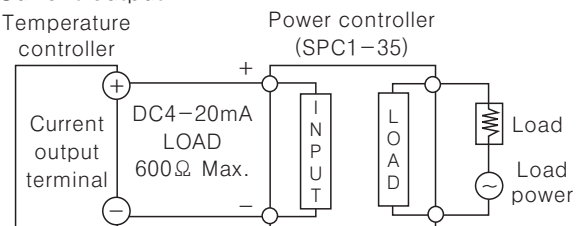


● SSR output



※ When using voltage (for driving SSR) in the other purposes, do not over the range of rated current.

● Current output



(A) Counter

(B) Timer

(C) Temp. controller

(D) Power controller

(E) Panel meter

(F) Tacho/Speed/Pulse meter

(G) Display unit

(H) Sensor controller

(I) Switching power supply

(J) Proximity sensor

(K) Photo electric sensor

(L) Pressure sensor

(M) Rotary encoder

(N) Stepping motor & Driver & Controller

(O) Graphic panel

(P) Production stoppage models & replacement